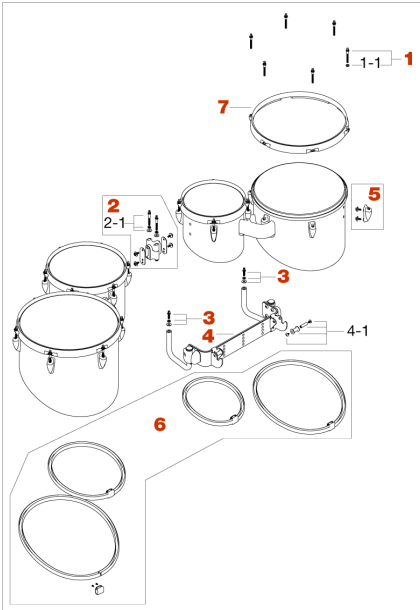


StarLight Tenor Drum

Production since August 2015



No.	Model No.	Description
1	SHB654P	Tension bolt w/ 2pcs of washer (M6x54mm, 2pcs/set)
44197	MW620	Metal washer (20pcs/set)
2	TNATM	Adjustable tom attachment w/mounting screw
44228	SHB648WSP	Square head bolt (M6x48mm), w/washer & spring washer (2pcs/set)
3	SHB620WSP	Square head bolt (M6x20mm), w/washer & spring washer (2pcs/set)
4	TNFS	Tenor frame for small tenor w/o leg
44287	MH58	Marching hinge axis (M5x8)
5	TNLUG	Lug for tenor w/mounting screws
6	RTNSPCQ	Shell protect cover set for Quad
6	RTNSPCT	Shell protect cover set for Trio
7	MFH8-4	1.6mm Triple flanged hoop 8" 4 hole
7	MFH10-6	2.3mm Triple flanged hoop 8" 5 hole
7	MFH12-6	2.3mm Triple flanged hoop 10" 6 hole
7	MFH13-6	2.3mm Triple flanged hoop 12" 8 hole
(Sticker)	TLS70BK	Black TAMA logo sticker

Individual Toms

No.	Model No.	Description
R807TKP		7 x 8" Spock for Trio
R1008TKI		8 x 10" Tom for Trio
R1295TK1		9.5 x 12" Tom for Trio
R0875TKS		7.5 x 8" Tom for Quad
R1008TKS		8 x 10" Tom for Quad
R1295TKS		9.5 x 12" Tom for Quad
R1311TKS		11 x 13" Tom for Quad