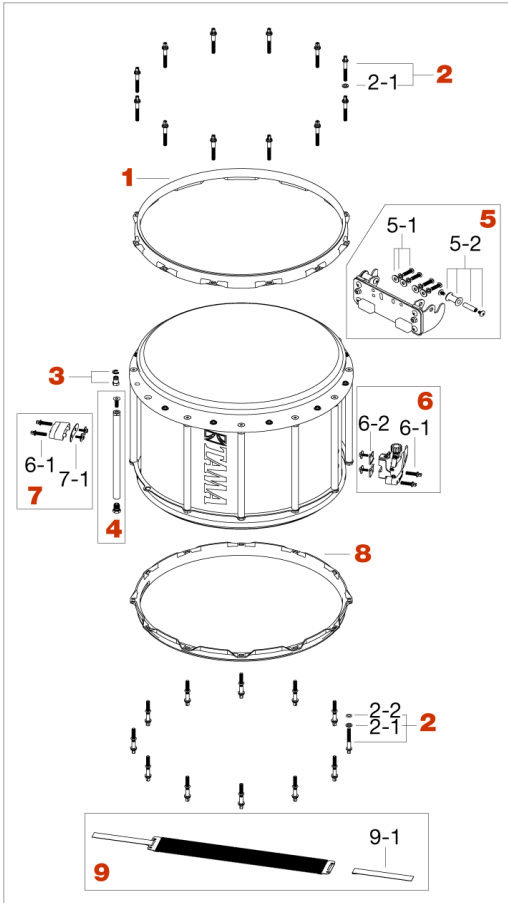


# StarLight Snare Drum

Production since August 2015



No.	Model No.	Description
1	MF14-12	Steel mighty 14" 12 hole hoop for batter side
2	SHB648P	Tension bolt w/ 2pcs of washer (M6x48mm, 2pcs/set)
2-1	MW620	Metal washer (20pcs/set)
2-2	ORNG12	O-ring (bottom side tension bolt only, 12pcs/set)
3	TNOP	Tension nut w/ O-ring (2pcs/set)
4	TP12	Tension pipe for 12" depth
5	SDHLDN	Holder for stand & carrier w/mounting screws
5-1	B620WS	Bolt (M6x20mm), washer & spring washer (1pc)
5-2	MH58	Marching hinge axis (M5x8)
6	MCS70A	Snare strainer complete
6-1	MS620SH	Square head bolt (M6x20mm)
6-2	MS414B20P	M4x14mm(20pc/set)
7	MCS70B	Snare butt complete
7-1	MS412B20P	M4x12mm(20pc/set)
8	MF14S-12	Steel mighty 14" 12 hole hoop for snare side
9	MS20R14S	Snappy snare (14" 20 stands carbon steel)
9-1	MST20	Snappy strap (pr)
(Sticker)	TLS80BK	Black TAMA logo sticker
	TLS80WH	White TAMA logo sticker