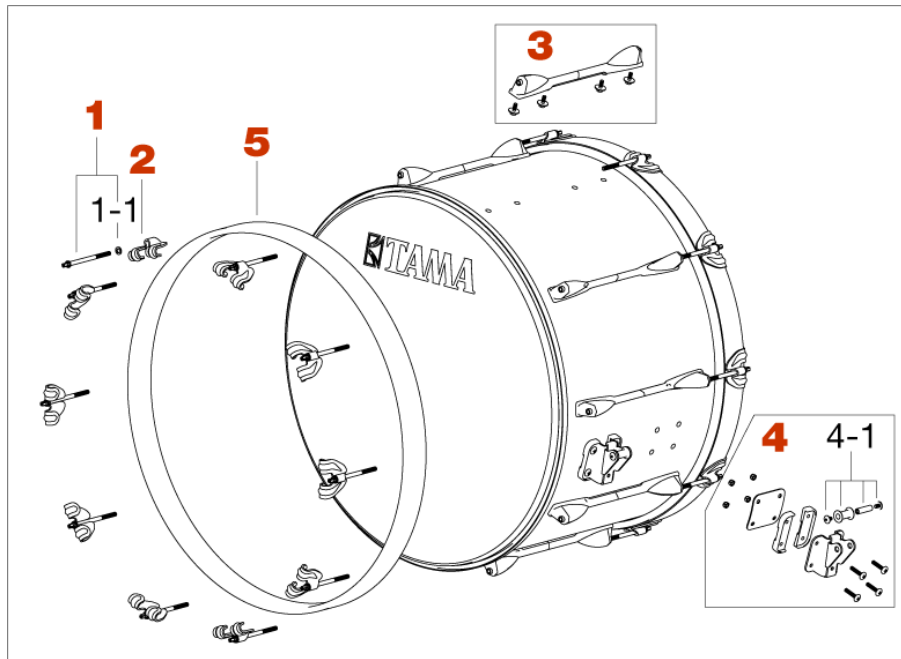


StarLight Bass Drum

Production : 2015.08 -



No.	Model No.	Description
1	SHB686P	Tension bolt M6x86mm w/ 2pcs of washers & O-ring (2pcs/set)
1-1	MW620	Metal washer (20pcs/set)
2	BDCHN	Claw hook
3	BDLUG	Lug for bass drum w/ mounting screws
4	BDADPS	Adapter for carrier (for 16" bass drum)
	BDADPM	Adapter for carrier (for 18" to 22" bass drum)
	BDADPL	Adapter for carrier (for 24" to 28" bass drum)
4-1	MH58	Marching Hinge Axis(M5x8)
5*	MBH16R BKL	16" bass drum hoop
	MBH18R BKL	18" bass drum hoop
	MBH20R BKL	20" bass drum hoop
	MBH22R BKL	22" bass drum hoop
	MBH24R BKL	24" bass drum hoop
	MBH26R BKL	26" bass drum hoop
	MBH28R BKL	28" bass drum hoop
(Sticker)	TLS80BK	Black TAMA logo sticker
	TLS80WH	White TAMA logo sticker

*only available BKL(Black luster) finish .