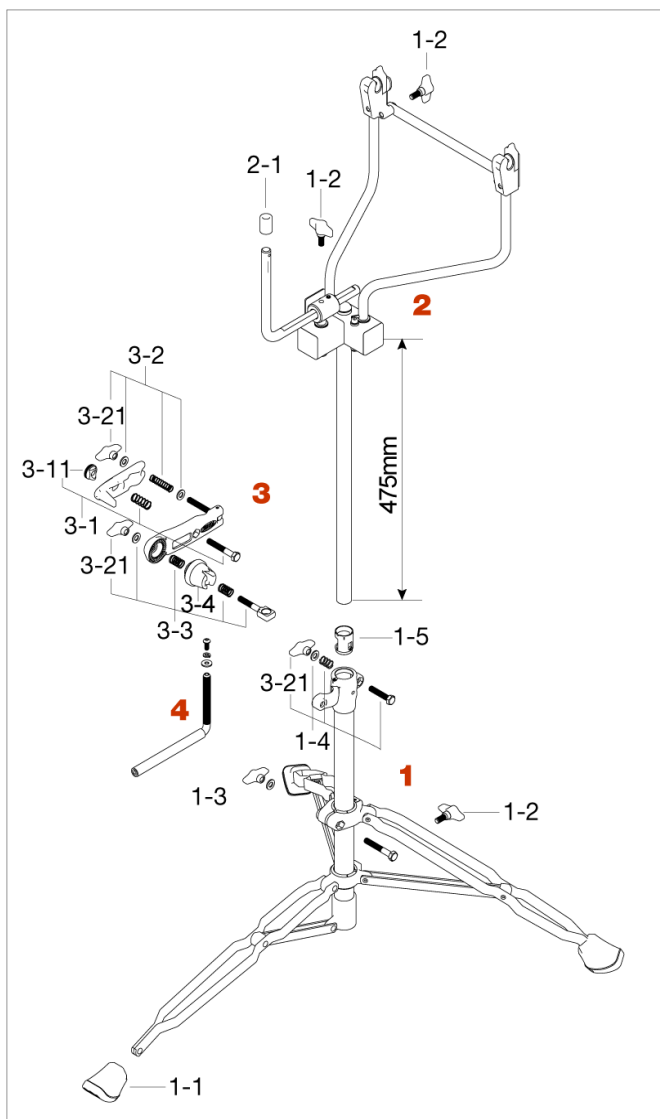


Marching Tenor Stand HMTN79WSN <Discontinued>

Production from Nov. 2015 to May 2021



No.	Model No.	Description
1	HMSD79WSN1	Base assembly for TN & SD stand
1-1	RF8WP3	Rubber tip (3pcs/set)
1-2	TS816P	T-bolt M8x16mm (2pcs/set)
1-3	HB855WN8	Bolt M8x55mm, washer & nut assembly
1-4	HBS840WN8	Bolt M8x40mm, spring, washer & T-nut assembly
1-5	NB2822R8	Nylon bushing 28.6mm-22.2mm
2	HMTN79WS2	Tenor stand upper section assembly
2-1	TNCAP	Marching Tenor stand support cap
3	MC56	Multi clamp
3-1	HB855RN8T	Bolt w/ nut & spring
3-11	RN8	Round nut M8
3-2	WN8SPW	Wing nut M8 w/ spring & washers
3-21	WN8P	Wing nut M8 (2pcs/set)
3-3	EBA8WN8T	Bolt, springs, washer & nut assembly
3-4	EHZN2	Boom tilter casting
4	LLTM	Stopper L-rod