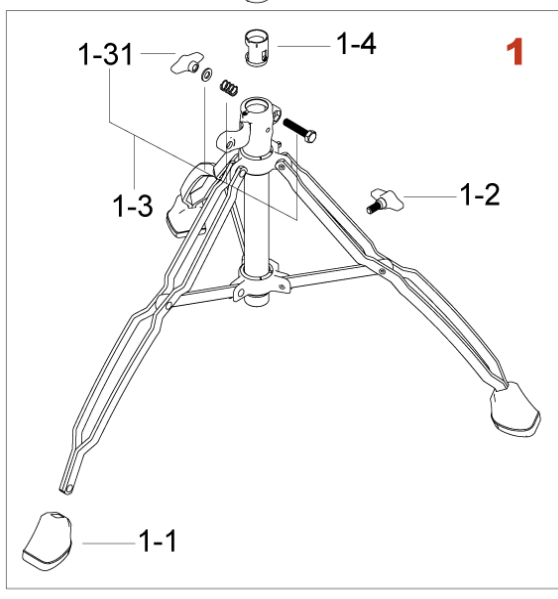
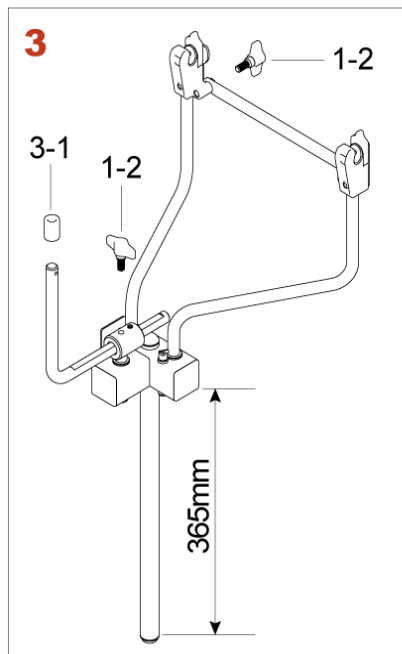


# Marching Snare Stand HMTN79WN <Discontinued>

Production from Nov. 2015 to May 2021



No.	Model No.	Description
<b>1</b>	HMSD79WN1	Base assembly for TN & SD stand
1-1	RF8WP3	Rubber tip (3pcs/set)
1-2	TS816P	T-bolt M8x16mm (2pcs/set)
1-3	HBS840WN8	Bolt M8x40mm, spring, washer & T-nut assembly
1-31	WN8P	Wing nut M8 (2pcs/set)
1-4	NB2822R8	Nylon bushing 28.6mm-22.2mm
<b>2</b>	ML222NT	Memory lock 22.2mm
<b>3</b>	HMTN79W2	Tenor stand upper section assembly
3-1	TNCAP	Marching Toner stand support cap