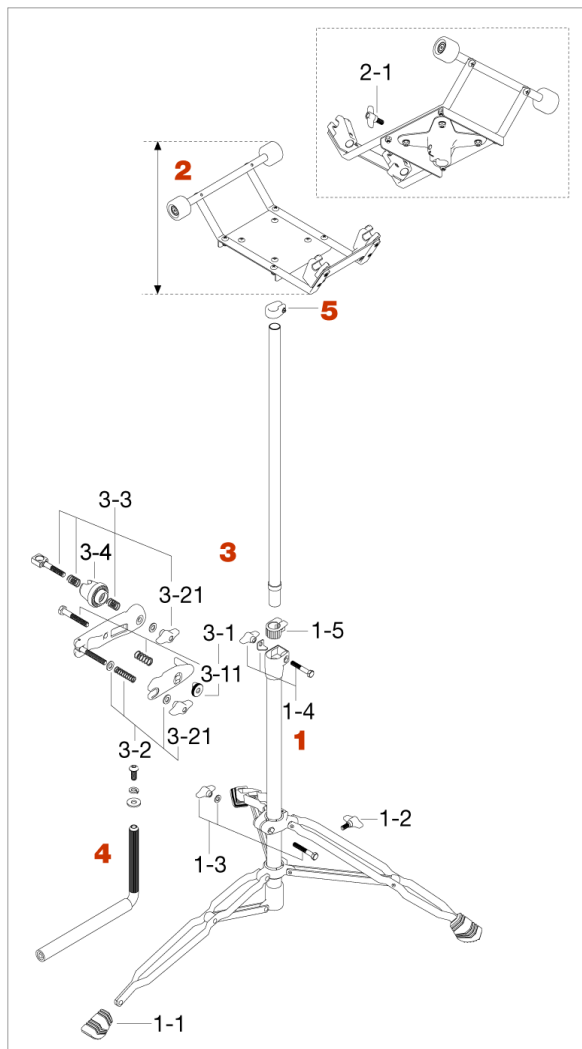


Marching Bass Stand HMBD79WS <Discontinued>

Production from Nov. 2011 to Oct. 2015



No.	Model No.	Substitutable Model #	Description
1	HMBD79WS1 (Discontinued)	HMBD79WSN1	Bass drum stand base assembly
1-1	RF-WP3		Rubber tip (3pcs/set)
1-2	TS816P		T-bolt M8x16mm (2pcs/set)
1-3	HB855WN8		Bolt M8x55mm, washer & nut assembly
1-4	HB850WN8L		Bolt M8x50mm, L-plate, & nut assembly
1-5	NB2822		Nylon bushing 28.6mm-22.2mm
2	HMBD79WS2		Bass drum stand upper section assembly
2-1	TS816P		T-bolt M8x16mm (2pcs/set)
3	MC56		Multi clamp
3-1	HB855RN8T		Bolt w/ nut & spring
3-11	RN8		Round nut M8
3-2	WN8SPW		Wing nut M8 w/ spring & washers
3-21	WN8P		Wing nut M8
3-3	EBA8WN8T		Bolt, springs, washer & nut assembly
3-4	EHZN2		Boom tilter casting
4	LLTM		Stopper L-rod
5	ML222NT		Memory Lock 22.2mm