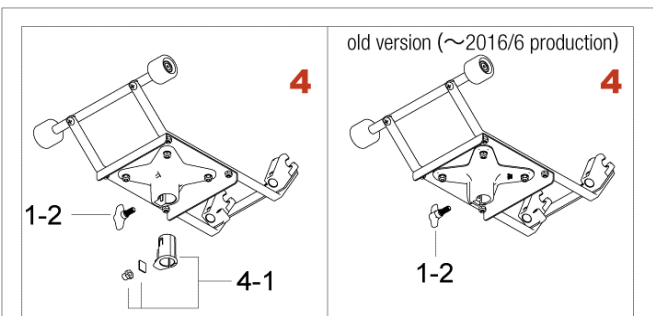


Marching Bass Stand HMBD79WN <Discontinued>

Production from Nov. 2015 to Oct. 2022



No.	Model No.	Description
1	HMBD79WN1	Bass drum stand base assembly
1-1	RF8WP3	Rubber tip (3pcs/set)
1-2	TS816P	T-bolt M8x16mm (2pcs/set)
1-3	HBS840WN8	Bolt M8x40mm, spring, washer & T-nut assembly
1-31	WN8P	Wing nut M8 (2pcs/set)
1-4	NB2822R8	Nylon bushing 28.6mm-22.2mm
2	ML222NT	Memory lock 22.2mm
3	HMBD79WS3	Upper tube only
4	HMBD79WS2	Bass drum stand upper section assembly
4-1	NB222FC4	Nylon Bush, Pressure Plate & Nut

