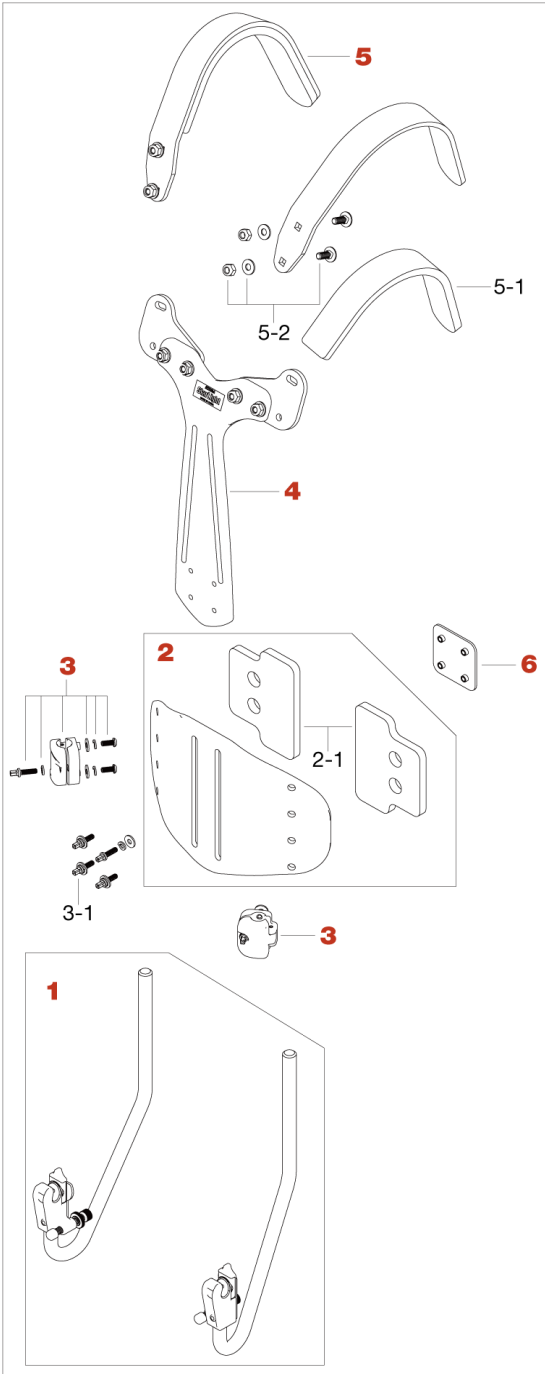


StarLight Tenor Carrier CRTNT

Production since Aug 2015



No.	Model No.	Description
1	CRTNHR	Tenor carrier J-bar (pair of R&L)
2	CRBPT	Belly plate
2-1	CRBPD	Belly pad (pair of R&L)
3	CSARHN	Rod holder w/mounting screw & washers (1pc)
3-2	SHB620P	Square head bolt (M6x20mm, 2pcs/set)
4	CRCP	Chest Plate
5	CRSA	Shoulder plate assembly (Pair of R&L) w/Bolt, washer & nut
5-1	CRSPD	Shoulder pad (pair of R&L)
5-2	B820WN	Bolt(M8x20mm), washer & nut
6	NP	Nut plate for carrier