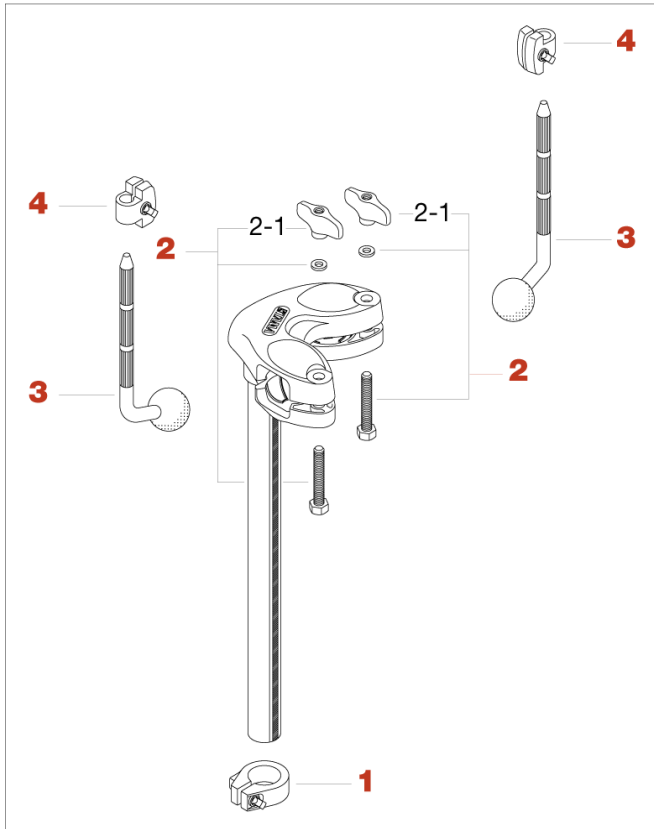


MTH500 Double Tom Holder



No.	Model No.	Description
1	ML254S	Key lock for tom holder (25.4mm)
2	HB850WN8W	Bolt, washer & nut assembly
3	LLB-N	Ball rod
4	ML105	Key lock (10.5mm)