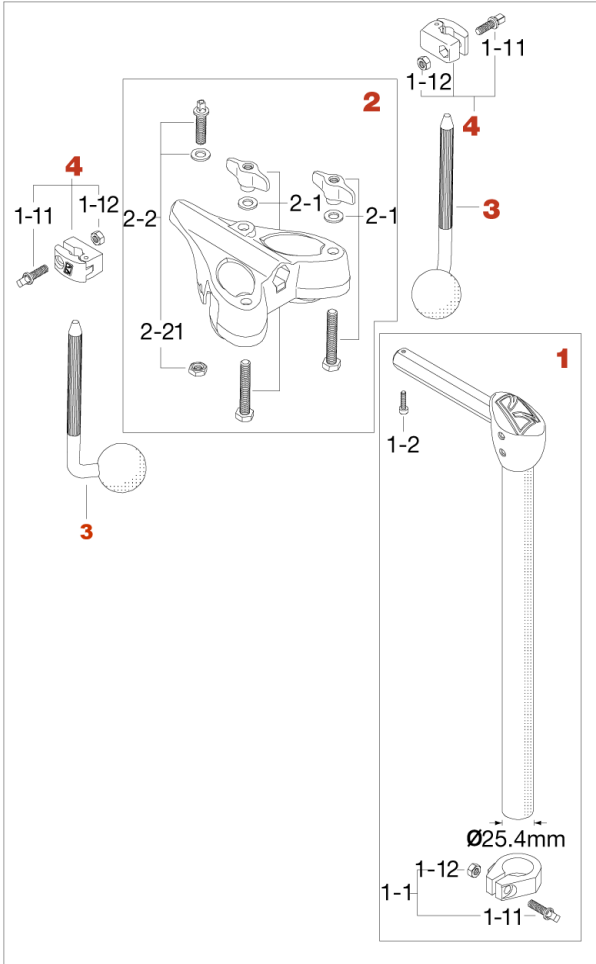


# MTH905 Double Tom Holder

Production from Dec. 2009 to Feb. 2012



No.	Model No.	Substitutable Model No.	Description
<b>1</b>	MTH9051 <i>(Discontinued)</i>	MTH905N1	L-Shape base pipe (310mm)
1-1	ML254T <i>(Discontinued)</i>	ML254TC	Memory lock
1-11	MS620SH		Square head bolt (M6x20mm)
1-12	NT6		Nut (M6)
1-2	L416		Screw (M4x16mm)
<b>2</b>	MTH9052		L-Shape upper section
2-1	HB850WN8W		Bolt (M8x50mm), T-nut & washer assembly
2-2	MSS830W		Square head bolt, nut & washer assembly
2-21	NT8		Nut (M8)
<b>3</b>	LOB		Omni-ball rod only
<b>4</b>	ML11		Memory lock (Hinge Type, for MTB25)