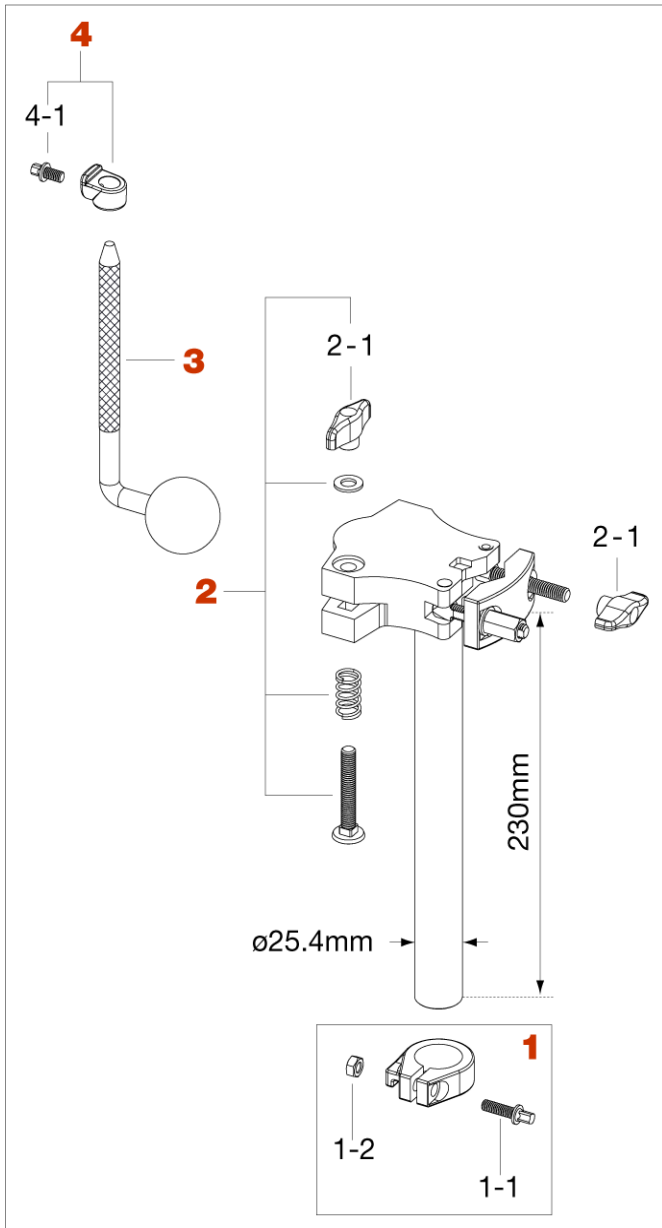


MTH50S Single Tom Holder (w/Φ25.4mm pipe)

Production since Nov. 2017



No.	Model No.	Description
1	ML254S	Key lock for tom holder (25.4mm)
1-1	MS620SH	Square head bolt (M6x20mm)
1-2	NT6	Nut (M6)
2	B850WN8SR	Bolt (M8x50mm), spring, washer & T-nut assembly
2-1	WN8RM	T-nut (M8)
3	LOBH	Ball rod only
4	ML105N	Key lock (10.5mm)
4-1	MS610SHP	Square head bolt (M6x10mm, 2pcs/set)