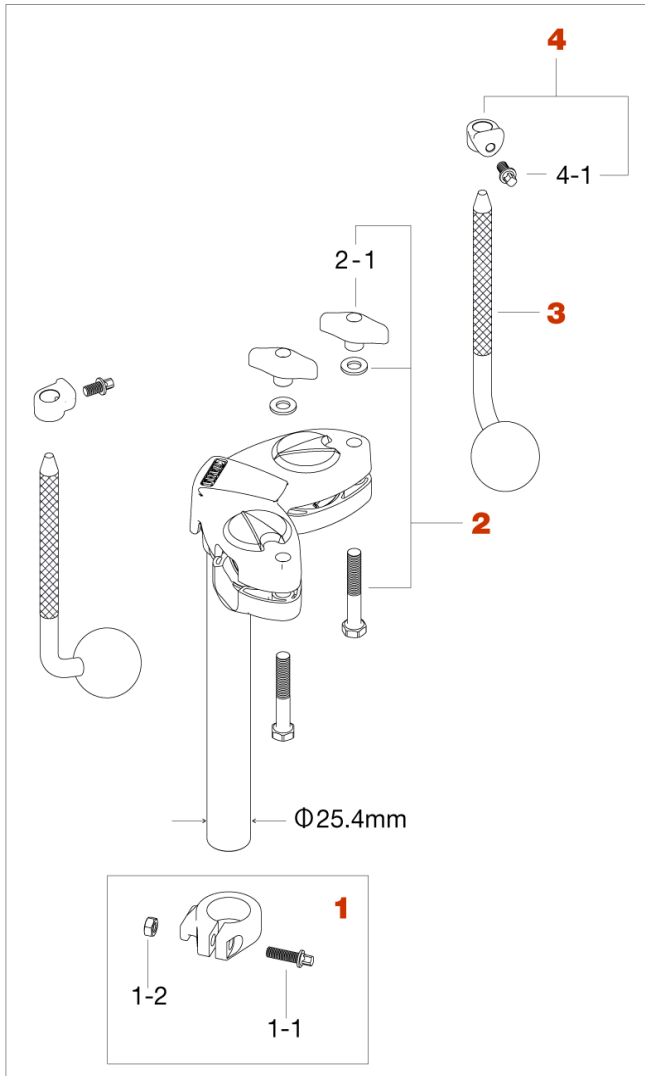


# MTH50 Double Tom Holder

Production from Nov. 2018



No.	Model No.	Description
<b>1</b>	ML254S	Key lock for tom holder (25.4mm)
1-1	MS620SH	Square head bolt (M6x20mm)
1-2	NT6	Nut (M6)
<b>2</b>	HB850WN8R	Bolt (M8X50mm), washer & nut assembly
2-1	WN8RM	T-nut (M8)
<b>3</b>	LLBS	Ball rod only
<b>4</b>	ML105N	Memory Lock (10.5mm)
4-1	MS610SHP	Square head bolt (M6x10mm, 2pcs/set)