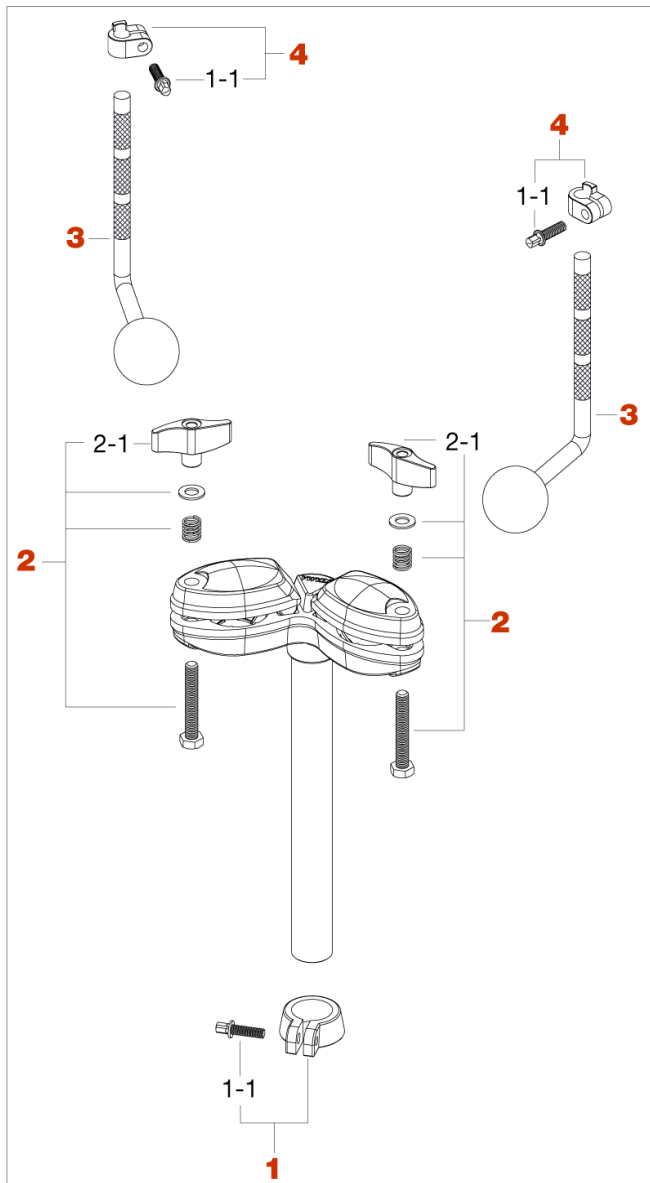


MTH30 Double Tom Holder

Production May 2016



No.	Model No.	Description
1	ML25	Key lock for tom holder (25.0mm)
1-1	MS620SH	Square head bolt (M6x20mm)
2	HB850WN8LJ	Bolt (M8X50mm), washer & nut assembly
2-1	WN8LJ	T-nut (M8)
3	LLBJ	Ball rod only
4	ML10	Memory Lock (10.0mm)