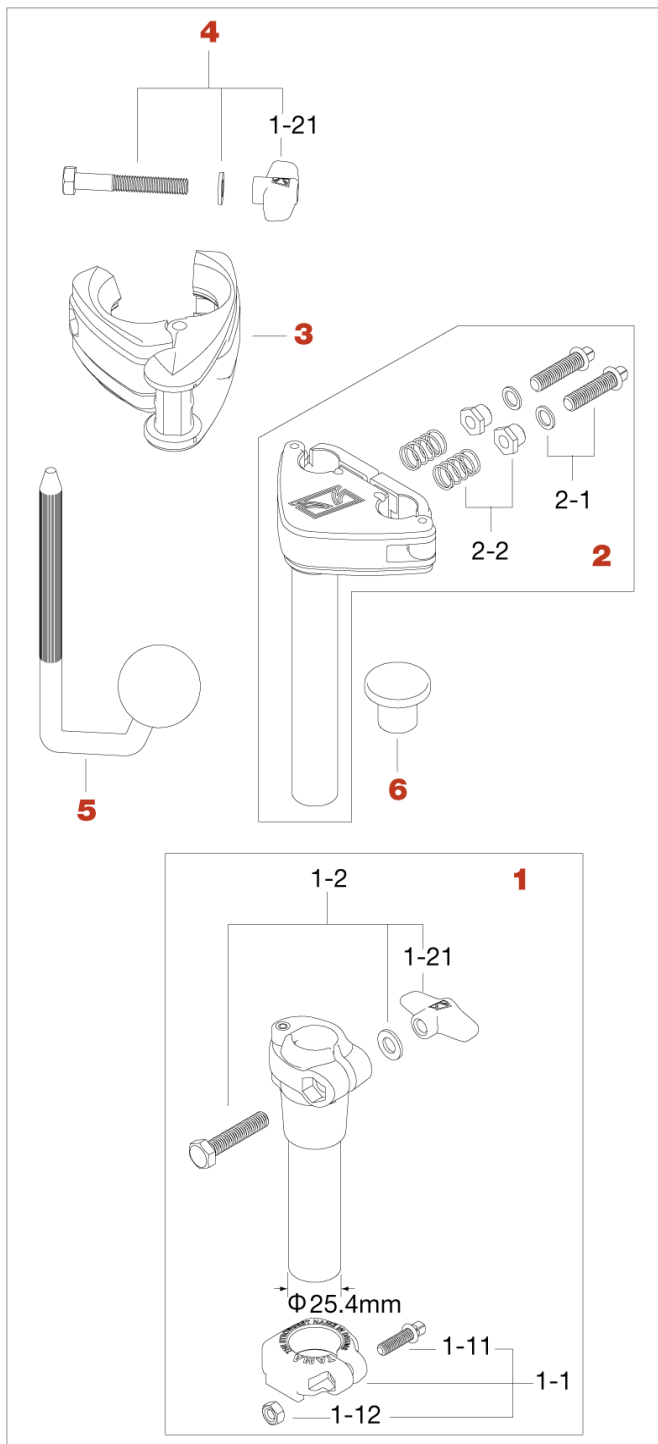


MTH1000S Single Tom Holder (Chrome)
MTH1000SBN Single Tom Holder (Black Nickel)
MTH1000SU Single Tom Holder (Smoked Black Nickel)



MTH1000S

No.	Model No.	Description
1	MTH10001	Base pipe
1-1	ML254TC	Memory lock
1-11	MS620SH	Square head bolt (M6x20mm)
1-12	NT6	Nut (M6)
1-2	HB840TN8W	Bolt, washer & T-nut assembly
1-21	TN8P	M8 T-nut (2pcs)
2	MTH10002	Holder casting
2-1	MSS830SW	Bolt & washer
2-2	IN8S	Insert nut & spring
3	HTW109W22	Tom holder casting
4	HB855TN8W	Bolt (M8x55mm), T-nut & washer assembly
5	JOB	J-Shaped Omni-Ball rod
6	MTH-CAP19	Plastic cap

MTH1000SBN

No.	Model No.	Description
1	MTH1000BN1	Base pipe (BN)
1-1	ML254TBN	Memory lock (BN)
1-11	MS620SHBN	Square head bolt (M6x20mm) (BN)
1-12	NT6	Nut (M6)
1-2	HB840TN8WB	Bolt, washer & T-nut assembly (BN)
1-21	TN8BNP	M8 T-nut (2pcs) (BN)
2	MTH1000BN2	Holder casting (BN)
2-1	MSS830SWBN	Bolt & washer (BN)
2-2	IN8S	Insert nut & spring
3	HTW109W22B	Tom holder casting (BN)
4	HB855TN8WB	Bolt (M8x55mm), T-nut & washer assembly (BN)
5	JOBBN	J-Shaped Omni-Ball rod (BN)
6	MTH-CAP19	Plastic cap

MTH1000SU

Production from Nov. 2016

No.	Model No.	Description
1	MTH1000U1	Base pipe (U)
1-1	ML254TU	Memory lock (U)
1-11	MS620SHBN	Square head bolt (M6x20mm) (BN)
1-12	NT6	Nut (M6)
1-2	HB840TN8WU	Bolt, washer & T-nut assembly (U)
1-21	TN8UP	M8 T-nut (2pcs)(U)
2	MTH1000U2	Holder casting (U)
2-1	MSS830SWBN	Bolt&washer (BN)
2-2	IN8S	Insert nut&spring
3	HTW109W22U	Tom holder casting (U)
4	HB855TN8WU	Bolt (M8x55mm), T-nut & washer assembly (U)
5	JOBU	J-Shaped Omni-Ball rod (U)
6	MTH-CAP19	Plastic cap