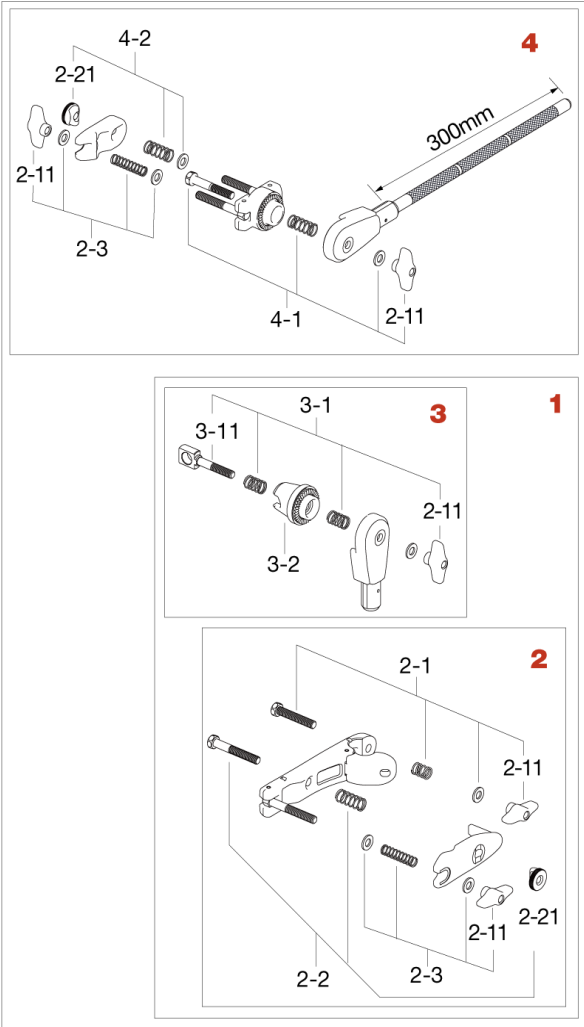


# MPH63 Electronic Multipad Holder

Production since Nov. 2021



No.	Model No.	Description
<b>1</b>	MC66	Multi-clamp
<b>2</b>	MC61	Multi-clamp
2-1	HB845WN8T	Bolt w/ wing nut & spring
2-11	WN8P	Wing nut (M8, 2pcs/pack)
2-2	HB855RN8T	Bolt w/ nut & spring
2-21	RN8	Round nut (M8)
2-3	WN8SPW	Wing nut (M8) w/ spring & washers
<b>3</b>	MTA6	Boom tilter assembly
3-1	EBA8WN8T	Bolt, springs, washer & nut assembly
3-11	EBA846	Eye bolt (M8x46mm)
3-2	EHZN2	Boom tilter casting
<b>4</b>	HPS80W4	Boom arm (300mm)
4-1	HB850WN8T	Bolt w/ T-nut, spring & washer
4-2	RN8SPW	Round nut (M8), w/ spring & washer