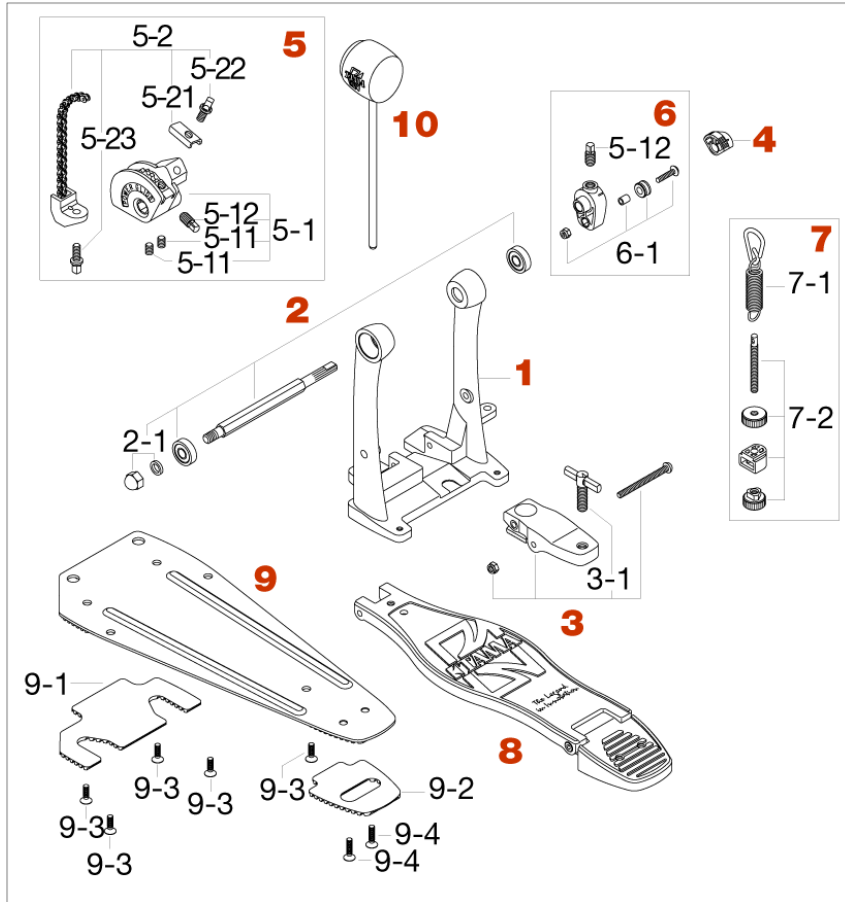


HP200 Drum Pedal

Production since Jun. 2000



No.	Model No.	Substitutable Model No.	Description
1	HP2-1 (Discontinued)	HP600D1	Frame only
2	HP2-2 (Discontinued)	HP3H2	Shaft assembly
2-1	HP9-21		Acorn hex nut & washer
3	HP3H3		Para clamp assembly
3-1	WS826		T-bolt (M8x26mm)
4	AMC2		Angle memory cap
5	HP2-5 (Discontinued)	HP305	Sprocket & chain assembly
5-1	HP2-51 (Discontinued)	HP3051	Sprocket only w/screw
5-11	S68		Screw (M6x8mm)
5-12	S812SH		Screw (M8x12mm)
5-2	HP2-52		Chain assembly w/screw
5-21	HP2-521		Pressure plate
5-22	MS612SH		Screw (M6x12mm)
5-23	MS615SH		Screw (M6x15mm)
6	HP2-6		Rocker piece assembly
6-1	HP2-61		Plastic roller assembly
7	HP2-7		Spring assembly
7-1	HP2-71		Spring & hook
7-2	HP2-72		Spring tight assembly
8	HP2-8 (Discontinued)	HP3071	Footboard only
9	HP2-9 (Discontinued)	HP3H9	Stabilizing plate complete
9-1	HP291 (Discontinued)	HP3H91	Rubber Plate
9-2	HP292 (Discontinued)	HP3H92	Rubber Plate
9-3	S512		Screw (M5x12mm)
9-4	S516		Screw (M5x16mm)
10	DS30		Dual sided beater