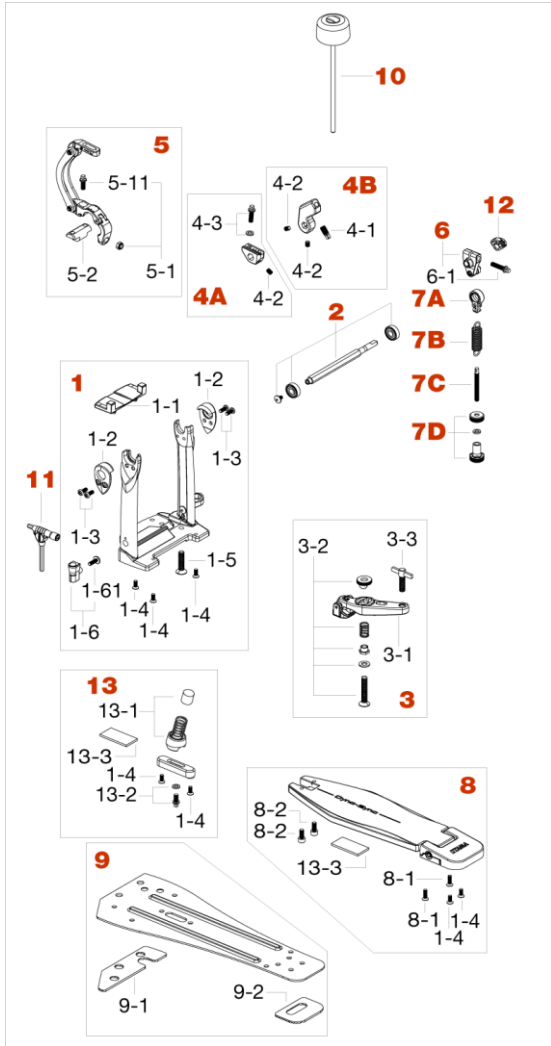


HPDS1 Dyna-Sync Single Pedal

Production 2019/5-



No.	Model No.	Description
1	HPDS11	Flame assembly for single pedal
1-1	HPDSRP	Rubber plate
1-2	HP91F3	Metal bearing cover (1PC)
1-3	B512NP	Screw (M5x12mm, nickel, 2pcs/set)
1-4	S512	Screw (M5x12mm)
1-5	L835	Screw (M8x35mm)
1-6	HP9N16	Drum hammer holder
1-61	L516	Screw (M5 x 16mm)
2	HPDS12	Shaft assembly
3	HP9N3	Para-Clamp II Pro
3-1	HP9N31	Clamp casting
3-2	HP9-32	Bolt (M8x47mm), spring, washer, spacer & nut assembly
3-3	WS826	T-bolt (M8x26mm)
4A	HPDS15C	Slidable cam base
4B	HPDS14	Beater holder assembly
4-1	S812SH	Square head bolt (M8x12mm)
4-2	S68	Screw (M6x8mm)
4-3	MS620SHW	Square head bolt (M6x20mm) & washer
5	HPDS15A	Direct link assembly
5-1	MS615SH	Square head bolt (M6x15mm)
5-11	MS615SHNN	Square head bolt (M6x15mm) & nylon nut
5-2	HPDS15B	Footboard angle adjustment axis
6	HPDS16R	Rocker cam assembly (Right)
6-1	MS625SH	Square head bolt (M6x25mm)
7A	HP9N71	Quick hook
7B	HP900-7H	Spring only (Heavy)
7C	HP9N7C	Tension adjust bolt
7D	HP9N7D	Tension adjust nuts & washer
8	HPDS18	Footboard w/screws
8-1	S516	Screw (M5x16mm)
8-2	L614C	Screw (M6 x 14)
9	HPDS19	Stabilizing plate assembly
9-1	HP9N91	Rubber plate (toe side)
9-2	HPDS192	Rubber plate (heel side)
10	BDY30FB	Dyna-beater
11	DH7	Drum Hammer
12	AMC2	Angle memory cap
13	HPSC	Sync Coil complete
13-1	HPSC1	Sync Coil upper unit
13-2	MS612SHW	Square head bolt (M6x12mm) w/washer
13-3	FPCC	Cobra Coil Felt for footboard