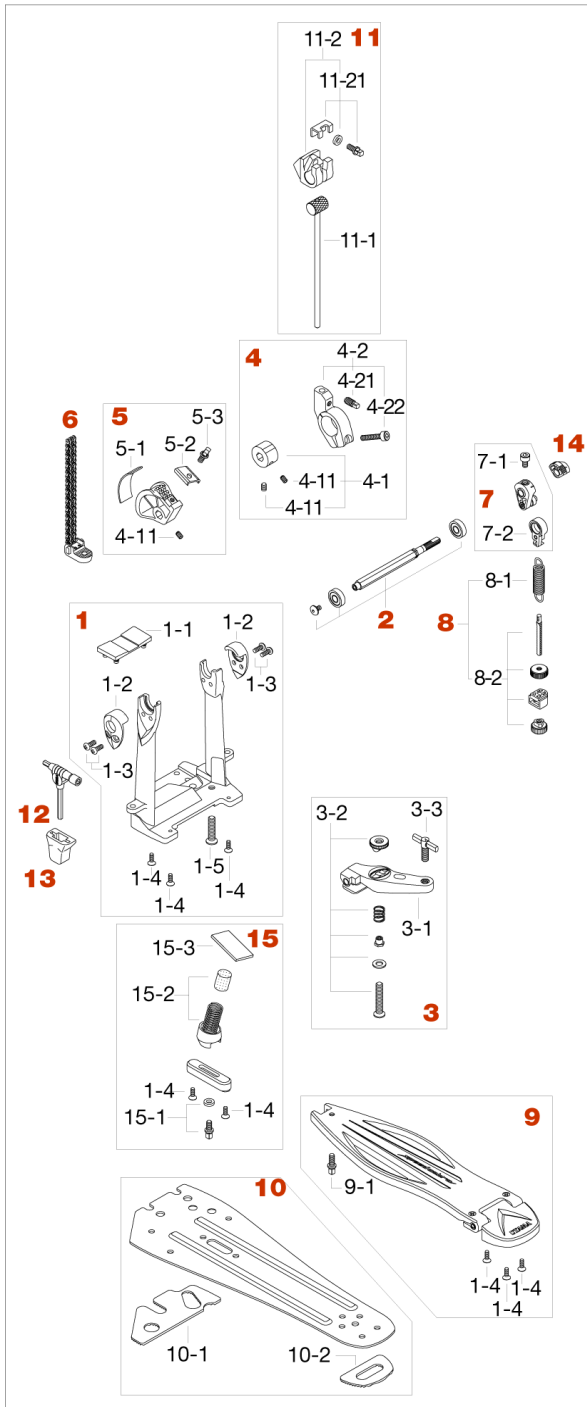


HP910LS Speed Cobra Single Pedal <Discontinued>

Production from March 2011 to June 2015



| No. | Model No. | Substitutable Model No. | Description |
|-----------|--------------------------|-------------------------|---|
| 1 | HP91F | | Frame assembly |
| 1-1 | HP9-12 | | Rubber plate |
| 1-2 | HP91F3 | | Metal bearing cover (1pc) |
| 1-3 | B512NP | | Screw (M5 x 12mm, nickel, 2pcs/set) |
| 1-4 | S512 | | Screw (M5x12mm) |
| 1-5 | L835 | | Screw (M8x35mm) |
| 2 | HP912N | | Shaft assembly |
| 3 | HP9-3 (Discontinued) | HP9N3 | Para clamp II assembly |
| 3-1 | HP9-31 (Discontinued) | HP9N31 | Clamp casting |
| 3-2 | HP9-32 | | Bolt (M8x45mm), spring, washer, spacer & nut assembly |
| 3-3 | WS820 (Discontinued) | WS826 | T-bolt (M8x20mm) |
| 4 | HP914 | | Vari-Pitch beater holder complete |
| 4-1 | HP9-41 | | Vari-Pitch beater holder center casting w/screws |
| 4-11 | S68 | | Screw (M6x8mm) |
| 4-2 | HP9142 | | Vari-Pitch beater holder outer casting w/screws |
| 4-21 | S812SH | | Square head bolt (M8x12mm) |
| 4-22 | L620C | | Screw (M6x20mm, Chrome) |
| 5 | HP915 | | LiteSprocket Cam assembly |
| 5-1 | FP91 | | Felt pad |
| 5-2 | HP9152 | | Pressure plate |
| 5-3 | MS610SHP | | Square head bolt (M6x10mm, 2pcs/set) |
| 6 | HP916 | | Chain assembly |
| 7 | HP9SN | | Speedo-Ring w/ Quick Hook |
| 7-1 | L610 (Discontinued) | L612C | Screw (M6x12mm) |
| 7-2 | HP9-71 | | Quick Hook only |
| 8 | HP918 | | Spring assembly w/o Quick Hook |
| 8-1 | HP910-7S | | Spring only |
| 8-2 | HP900-77 | | Spring Tight assembly |
| 9 | HP919 | | Footboard w/screws |
| 9-1 | MS615SH | | Square head bolt (M6x15mm) |
| 10 | HP9110 | | Stabilizing plate complete |
| 10-1 | HP91102 | | Rubber plate for Speed Cobra pedal (front) |
| 10-2 | HP91103 | | Rubber plate for Speed Cobra pedal (rear) |
| 11 | PB90F (Discontinued) | | Speed Cobra beater |
| 11-1 | PB911 | | Shaft only |
| 11-2 | PB90FH (Discontinued) | | Beater head (felt) |
| 11-21 | PB91121 | | Bolt (M6x12mm), washer & metal hook assembly |
| 12 | DH7 | | Drum Hammer |
| 13 | HH5 | | Hammer Holder |
| 14 | AMC2 | | Angle memory cap |
| 15 | CC900S | | Cobra Coil |
| 15-1 | MS612SHW | | Square head bolt (M6x12mm) w/washer |
| 15-2 | CC900S3 | | Cobra Coil spring assembly |
| 15-3 | FPCC | | Cobra Coil Felt for footboard |