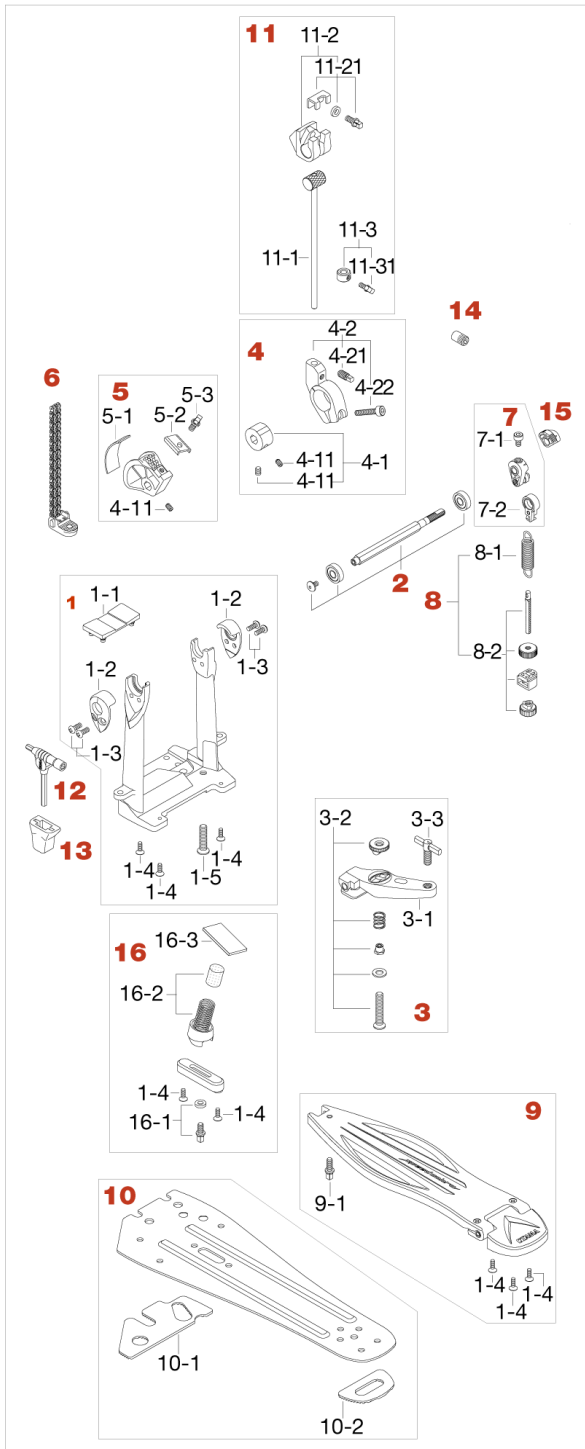


# HP910LS Speed Cobra Single Pedal <Discontinued>

Production from Jun.2010 to Feb. 2011



No.	Model No.	Substitutable Model No.	Description
<b>1</b>	HP91F		Frame assembly
1-1	HP9-12		Rubber plate
1-2	HP91F3		Metal bearing cover (1pc)
1-3	B512NP		Screw (M5x12mm, nickel, 2pcs/set)
1-4	S512		Screw (M5x12mm)
1-5	L835		Screw (M8x35mm)
<b>2</b>	HP912		Shaft assembly
<b>3</b>	HP9-3 (Discontinued)	HP9N3	Para clamp II assembly
3-1	HP9-31 (Discontinued)	HP9N31	Clamp casting
3-2	HP9-32		Bolt (M8x45mm), spring, washer, spacer & nut assembly
3-3	WS820 (Discontinued)	WS826	T-bolt (M8x26mm)
<b>4</b>	HP914		Vari-Pitch beater holder complete
4-1	HP9-41		Vari-Pitch beater holder center casting w/screws
4-11	S68		Screw (M6x8mm)
4-2	HP9142		Vari-Pitch beater holder outer casting w/screws
4-21	S812SH		Square head bolt (M8x12mm)
4-22	L620C		Screw (M6x20mm, Chrome)
<b>5</b>	HP915		LiteSprocket Cam assembly
5-1	FP91		Felt pad
5-2	HP9152		Pressure plate
5-3	MS610SHP		Square head bolt (M6x10mm, 2pcs/set)
<b>6</b>	HP916		Chain assembly
<b>7</b>	HP9SN		Speedo-Ring w/Quick Hook
7-1	L610 (Discontinued)	L612C	Screw (M6x12mm)
7-2	HP9-71		Quick Hook only
<b>8</b>	HP918		Spring assembly w/o Quick Hook
8-1	HP910-7S		Spring only
8-2	HP900-77		Spring Tight assembly
<b>9</b>	HP919		Footboard w/screws
9-1	MS615SH		Square head bolt (M6x15mm)
<b>10</b>	HP9110		Stabilizing plate complete
10-1	HP91102		Rubber plate for Speed Cobra pedal (front)
10-2	HP91103		Rubber plate for Speed Cobra pedal (rear)
<b>11</b>	PB90F (Discontinued)		Speed Cobra beater
11-1	PB911		Shaft only
11-2	PB90FH (Discontinued)		Beater head (felt)
11-21	PB91121		Bolt (M6x12mm), washer & metal hook assembly
11-3	BC7		Beater balance adjuster
11-31	S58		Screw (M5x8mm)
<b>12</b>	DH7		Drum Hammer
<b>13</b>	HH5		Hammer Holder
<b>14</b>	TLK5		Tight Lock
<b>15</b>	AMC2		Angle memory cap
<b>16</b>	CC900S		Cobra Coil
16-1	MS612SHW		Square head bolt (M6x12mm) w/washer
16-2	CC900S3		Cobra Coil spring assembly
16-3	FPCC		Cobra Coil Felt for footboard