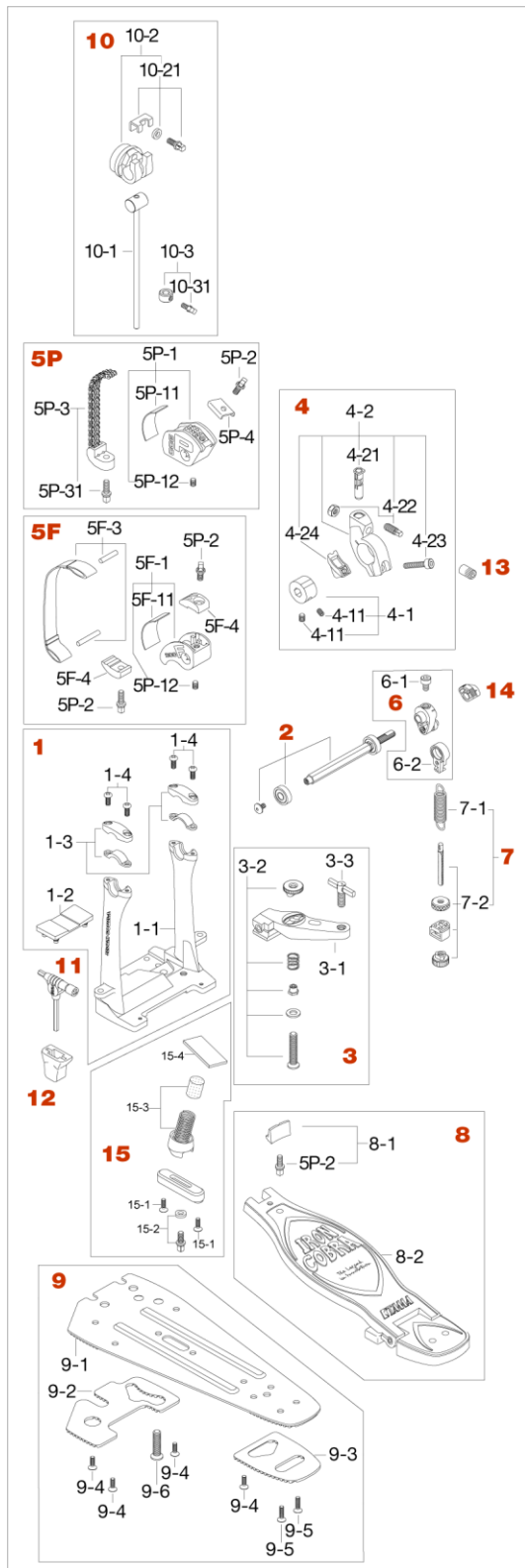


# HP900PS,HP900FS Iron Cobra Single Pedal : Power Glide, Flexi Glide <Discontinued>

Production since Nov. 2008 to Feb. 2011



No.	Model No.	Substitutable Model No.	Description
<b>1</b>	HP9F (Discontinued)	HP90F	Frame assembly
1-1	HP9F1 (Discontinued)	HP90F	Frame base only
1-2	HP9-12		Rubber plate
1-3	HP9F3		Metal bearing cover (left/right set)
1-4	B512P		Screw (M5x12mm, 2pcs/set)
<b>2</b>	HP92N		Shaft assembly
<b>3</b>	HP9-3 (Discontinued)	HP9N3	Para clamp II Pro assembly
3-1	HP9-31 (Discontinued)	HP9N31	Clamp casting
3-2	HP9-32		Bolt (M8x47mm), spring, washer, spacer & nut assembly
3-3	WS820 (Discontinued)	WS826	T-bolt (M8x26mm)
<b>4</b>	HP94C (Discontinued)	HP914	Vari-Pitch beater holder complete
4-1	HP9-41		Vari-Pitch beater holder center casting w/screws
4-11	S68		Screw (M6x8mm)
4-2	HP94C2 (Discontinued)	HP9142	Vari-Pitch beater holder outer casting w/screws
4-21	NBB		Nylon bush
4-22	S816SHN (Discontinued)	N/A	Square head bolt (M8x16mm) w/nut
4-23	L630		Screw (M6x30mm)
4-24	HP94C24		Beater holder weight only (Black)
<b>5P</b>	HP95PN		Power Glide Cam (for HP900P) & chain assembly
5P-1	HP95PN1		Power Glide Cam only w/screw
5P-11	FP-C		Felt pad for chain pedal
5P-12	S68		Screw (M6x8mm)
5P-2	MS612SH		Square head bolt (M6x12mm)
5P-3	HP9-53		Chain assembly w/screw
5P-31	MS615SH		Square head bolt (M6x15mm)
5P-4	HP9-54		Pressure plate
<b>5F</b>	HP95FN (Discontinued)	N/A	Flexi Glide Cam (for HP900F) & strap assembly
5F-1	HP95FN1 (Discontinued)	N/A	Flexi Glide Cam only w/screw
5F-11	FP-F		Felt pad for strap pedal
5F-3	HP9-53F		Strap w/ shafts
5F-4	HP9-54F		Pressure casting
<b>6*</b>	HP9S		Speedo-Ring w/ Quick Hook
6-1	L610 (Discontinued)	L612C	Screw (M6x12mm)
6-2	HP9-71		Quick Hook only
<b>7</b>	HP9-7N		Spring assembly w/o Quick Hook
7-1	HP900-7R		Spring only (Regular)
7-2	HP900-77		Spring Tight assembly
<b>8</b>	HP9-8 (Discontinued)	N/A	Footboard assembly
8-1	HP900-81		Toe stopper w/screw
8-2	HP9-82 (Discontinued)	HP908	Footboard only
<b>9*</b>	HP99N (Discontinued)	HP909	Stabilizing plate complete
9-1	HP99N1		Stabilizing plate only
9-2	HP99N2 (Discontinued)	HP91102	Rubber plate for Iron Cobra pedal
9-3	HP99N3 (Discontinued)	HP9093	Rubber plate for Iron Cobra pedal
9-4	S512		Screw (M5x12mm)
9-5	S516		Screw (M5x16mm)
9-6	L835		Screw (M8x35mm)
<b>10</b>	CB90F		Iron Cobra beater (felt)
10-1	CB90-1		Shaft only
10-2	CB90FH		Beater head (felt)
10-21	CB90-2		Bolt (M6x12mm), washer & metal hook assembly
10-3	BC7		Beater balance adjuster
10-31	S58		Screw (M5x8mm)
<b>11</b>	DH7		Drum Hammer
<b>12</b>	HH5		Hammer Holder
<b>13</b>	TLK5		Tight Lock
<b>14</b>	AMC2		Angle memory cap
<b>15***</b>	CC900S		Cobra Coil
15-1	S512		Screw (M5x12mm)
15-2	MS612SHW		Square head bolt (M6x12mm) w/washer
15-3	CC900S3		Cobra Coil spring assembly
15-4	FPCC		Cobra Coil Felt for footboard

\*9: HP909 can't work for replacement of below figured old plate.

