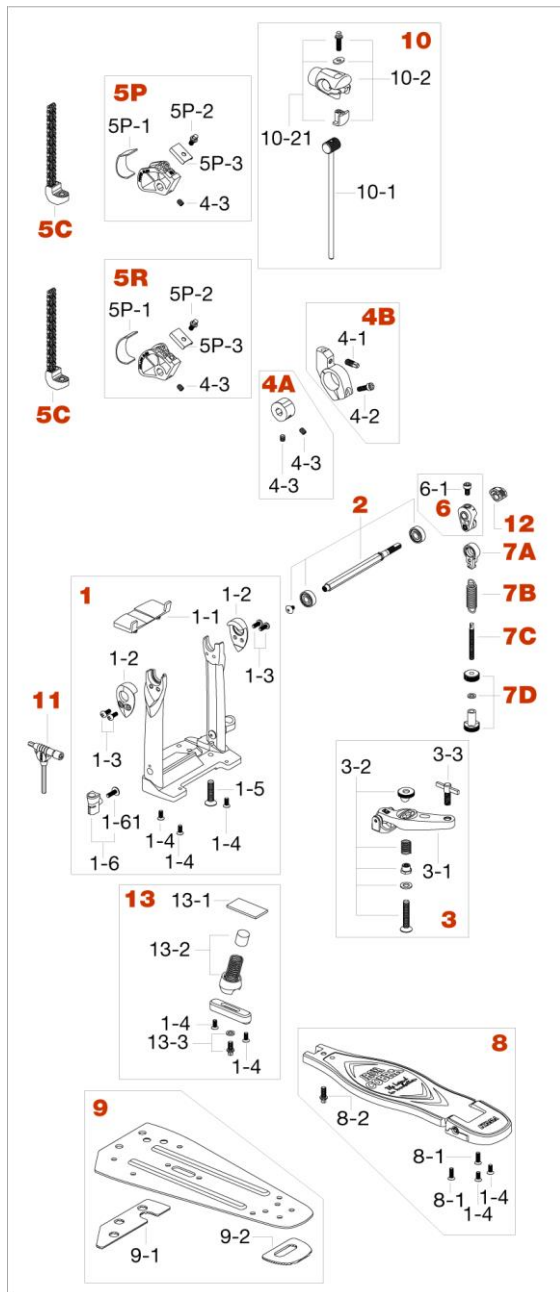


HP900PN, HP900RN Iron Cobra Single Pedal : Power Glide, Rolling Glide

Production since Jul. 2015



No.	Model No.	Substitutable Model No.	Description
1	HP90N1		Flame assembly for single pedal
1-1	HP9N11		Rubber plate
1-2	HP91F3		Metal bearing cover (1PC)
1-3	B512NP		Screw (M5x12mm, nickel, 2pcs/set)
1-4	S512		Screw (M5x12mm)
1-5	L835		Screw (M8x35mm)
1-6	HP9N16		Drum hammer holder
1-61	L516		Screw (M5 x 16mm)
2	HP9N2 (Discontinued)	HPDS12	Shaft assembly
3	HP9N3		Para-Clamp II Pro
3-1	HP9N31		Clamp casting
3-2	HP9-32		Bolt (M8x47mm), spring, washer, spacer & nut assembly
3-3	WS826		T-bolt (M8x26mm)
4A	HP9N41		Vari-Pitch beater holder center casting w/screws
4B	HP9142		Vari-Pitch beater holder outer casting w/screws
4-1	S812SH		Square head bolt (M8x12mm)
4-2	L620C		Screw (M6x20mm, Chrome)
4-3	S68		Screw (M6x8mm)
5P	HP9N5P		Power Glide LiteSprocket assembly
5P-1	FPP		Felt pad
5P-2	MS610SHP		Square head bolt (M6x10mm, 2pcs/set)
5P-3	HP9N54		Pressure plate
5R	HP9N5R		Rolling Glide LiteSprocket assembly
5C	HP90N5C		Chain assembly
6	HP9N6		Speedo-Ring
6-1	L610C (Discontinued)	L612C	Screw (M6x12mm)
7A	HP9N71		Quick hook
7B	HP900-7R		Spring only (Regular)
7C	HP9N7C		Tension adjust bolt
7D	HP9N7D		Tension adjust nuts & washer
8	HP90N8		Footboard w/screws
8-1	S516		Screw (M5x16mm)
8-2	MS615SH		Square head bolt (M6x15mm)
9	HP90N9		Stabilizing plate complete
9-1	HP9N91		Rubber plate (toe side)
9-2	HP9N92		Rubber plate (heel side)
10	CB900PS		Power-Strike Cobra Beater (Felt)
10-1	CB9PS1		Beater shaft only (red head)
10-2	CB900PSH		Power-Strike Cobra Beater Head (Felt)
10-21	CB9PS2		Bolt (M6x20mm), washer & black nut assembly
11	DH7		Drum Hammer
12	AMC2		Angle memory cap
13	CC900S		Cobra Coil
13-1	FPCC		Cobra Coil Felt for footboard
13-2	CC900S3		Cobra Coil spring assembly
13-3	MS612SHW		Square head bolt (M6x12mm) w/washer