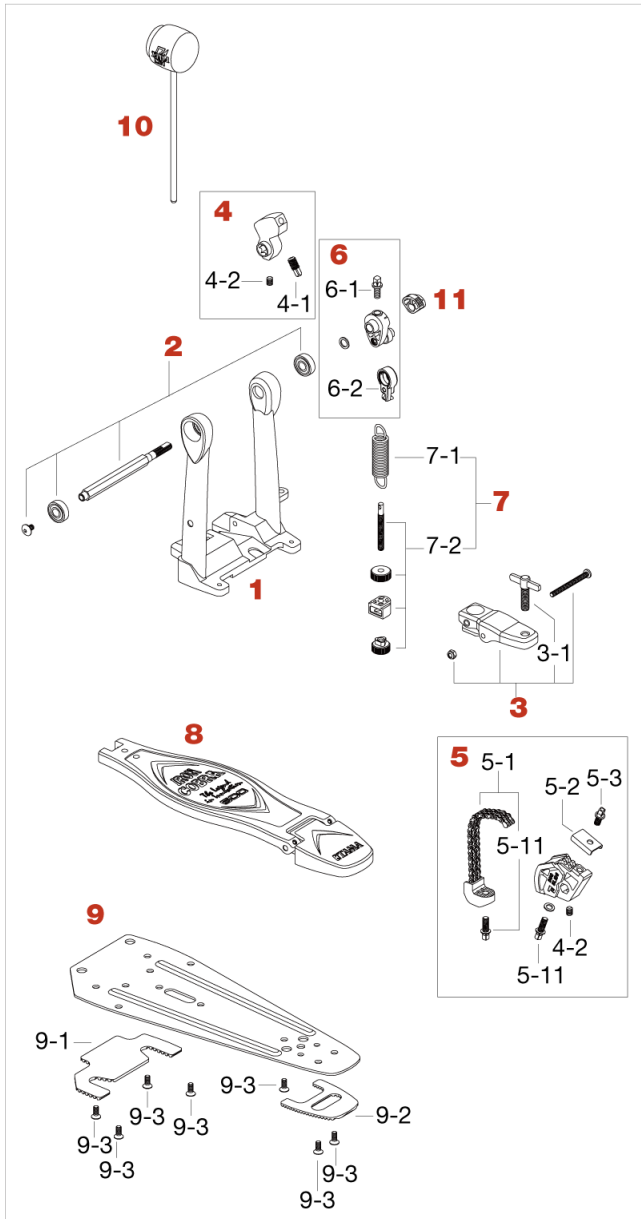


HP600D Iron Cobra Single Pedal

Production since Nov. 2012



No.	Model No.	Description
1	HP600D1	Frame only
2	HP3H2	Shaft Assembly
3	HP3H3	Para clamp assembly
3-1	WS826	T-bolt (M8x26mm)
4	HP600D6	Beater holder
4-1	S812SH	Square head bolt (M8x12mm)
4-2	S68	Screw (M6x8mm)
5	HP600D5	Sprocket & chain assembly
5-1	HP9-53	Chain assembly
5-11	MS615SH	Square head bolt (M6x15mm)
5-2	HP9-54	Pressure plate
5-3	MS610SHP	Square head bolt (M6x10mm), 2pcs/set
6	HP600D7	Speedo-Ring w/ Quick Hook
6-1	MS612SH	Square head bolt (M6x12mm)
6-2	HP9-71	Quick Hook only
7	HP600D8	Spring assembly w/o Quick Hook
7-1	HP900-7R	Spring only (Regular)
7-2	HP2-72	Spring tight assembly
8	HP600D9	Footboard assembly
9	HP3H9	Stabilizing plate complete
9-1	HP3H91	Rubber plate
9-2	HP3H92	Rubber plate
9-3	S512	Screw (M5x12mm)
10	DS30	Dual sided beater
11	AMC2	Angle memory cap