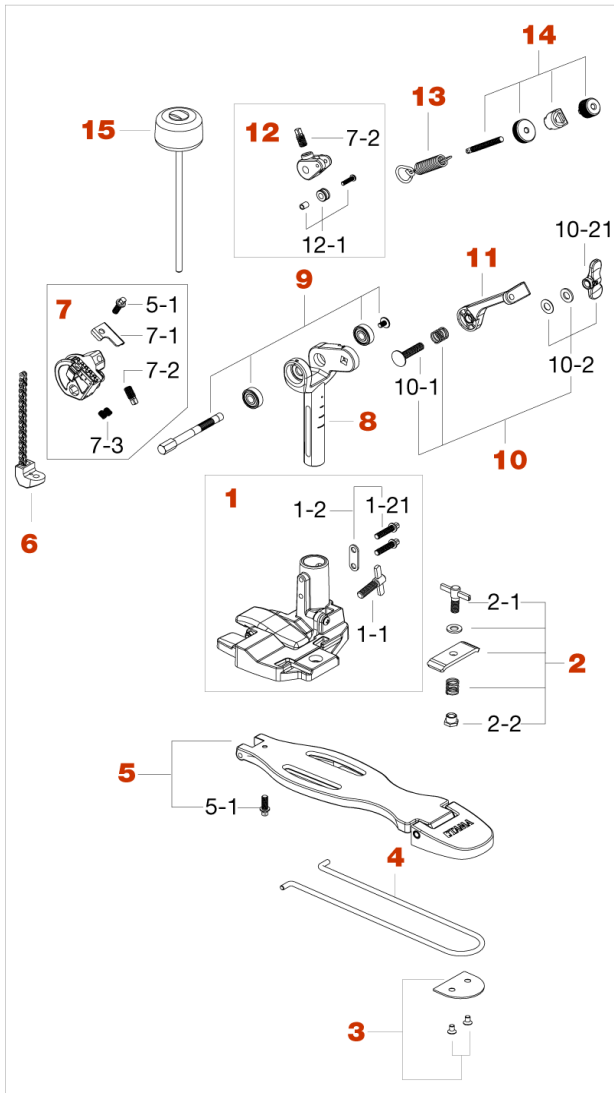


HP50 The Classic Pedal

Production 2017/12-



No.	Model No.	Description
1	HP50A1	Frame assembly
1-1	WS826	T-bolt (M8x26mm)
1-2	HP50A11	Square head bolts (M6x25) w/oval washer
1-21	MS625SH	Square head bolt (M6x25mm)
2	HP503	Radius rod holder assembly
2-1	WS819	T-bolt (M8x19mm)
2-2	IN8	Insert nut (M8)
3	HH55F13	Rod cover w/screws
4	HP5081	Radius rod only
5	HP508	Footboard assembly
5-1	MS615SH	Square head bolt (M6x15mm)
6	HP504	Chain Assembly
7	HP505	Sprocket assembly
7-1	HP5051	Pressure plate
7-2	S812SH	Screw (M8x12mm)
7-3	S68	Screw (M6x8mm)
8	HP50A2	Post only
9	HP502	Shaft Assembly
10	B835TTNWS	T-nut (M8), washer, spring & bolt
10-1	B835	Bolt (M8x35mm)
10-2	TTN8WTW	T-nut, washers
10-21	TTN8P	T-nut (M8) 2pcs
11	HP50A3	Spring arm only
12	HP506	Rocker cam assembly
12-1	HP5061	Plastic roller assembly
13	HP2-71	Spring & hook
14	HP507	Spring tight assembly
15	CLB30F	Felt beater