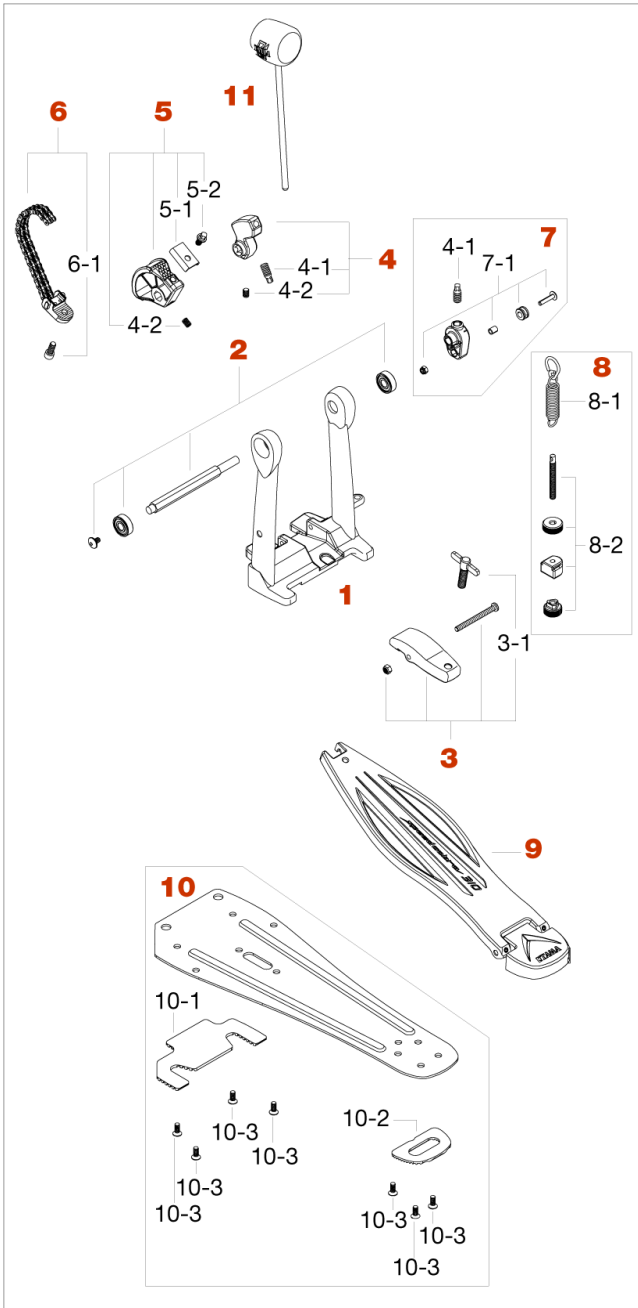


# HP310L Speed Cobra Single Pedal

Production since Jul. 2014



No.	Model No.	Description
<b>1</b>	HP200P1	Frame only
<b>2</b>	HP302	Shaft Assembly
<b>3</b>	HP303	Hoop clamp assembly
3-1	WS826	T-bolt (M8x26mm)
<b>4</b>	HP600D6	Beater holder
4-1	S812SH	Screw (M8x12mm)
4-2	S68	Screw (M6x8mm)
<b>5</b>	HP315	Sprocket assembly
5-1	HP9-54	Pressure plate
5-2	MS610SHP	Square head bolt (M6x10mm), 2pcs/set
<b>6</b>	HP316	Chain Assembly
6-1	L614C	Screw (M6 x 14)
<b>7</b>	HP2-6	Rocker piece assembly
7-1	HP2-61	Plastic roller assembly
<b>8</b>	HP2-7	Spring assembly
8-1	HP2-71	Spring & hook
8-2	HP2-72	Spring tight assembly
<b>9</b>	HP318	Footboard Assembly
<b>10</b>	HP319	Stabilizing Plate Complete
10-1	HP3H91	Rubber plate
10-2	HP3192	Rubber Plate (Heel Side)
10-3	S512	Screw (M5x12mm)
<b>11</b>	DS30G	Dual sided beater