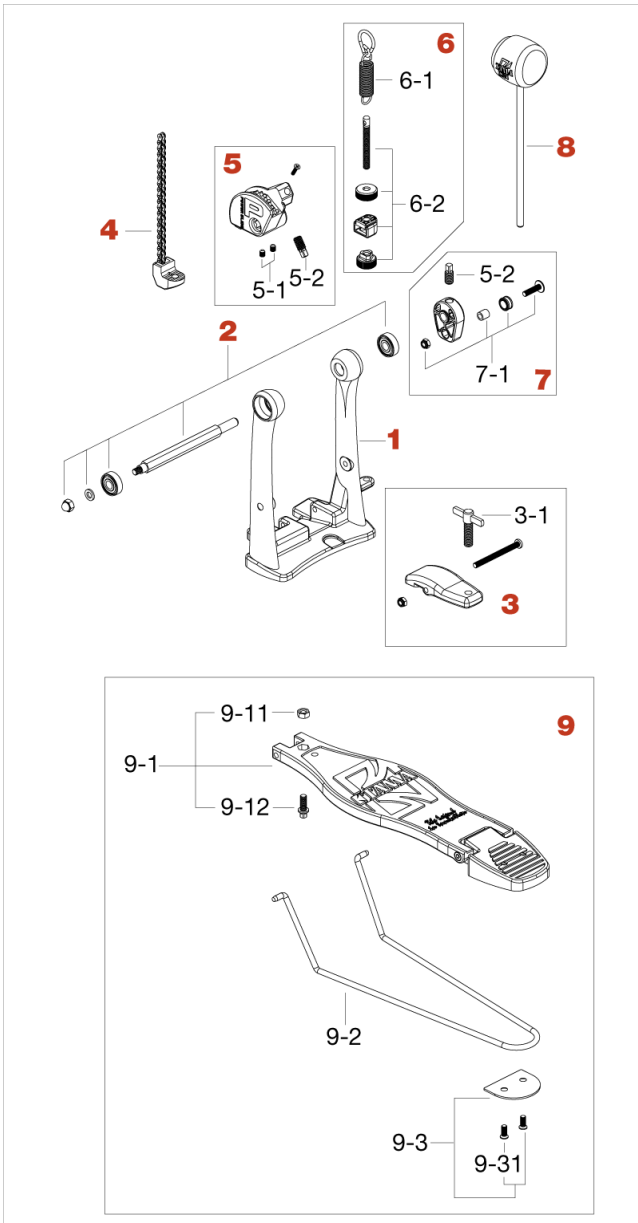


# HP30 Drum Pedal <Discontinued>

Production from Nov. 2018 to Oct. 2021



No.	Model No.	Description
1	HP30H1	Frame only
2	HP30H2	Shaft assembly
3	HP30H3	Hoop clamp assembly
3-1	WS826	T-bolt (M8x26mm)
4	HP30H4	Chain assembly
5	HP30H5	Sprocket assembly
5-1	S56P	Screw (M5x6mm 2pcs/pack)
5-2	S812SH	Screw (M8x12mm)
6	HP3H7	Spring assembly
6-1	HP3H71	Spring & hook
6-2	HP2-72	Spring tight assembly
7	HP3H6	Rocker cam assembly
7-1	HP3H61	Plastic roller assembly
8	DS30	Dual sided beater
9	HP30H8	Footboard assembly
9-1	HP30H81	Footboard only
9-11	NT6	Nut (M6)
9-12	MS615SH	Screw (M6x15mm)
9-2	HP10-AM	Radius rod
9-3	HP20-83	Rod cover & screws
9-31	S512	Screw (M5X12mm)

**<Note>**

- 5 Chain assembly is attached to sprocket with thin phillips screw (M3x12mm) only.
- 6-1 Spring is nickel plated (Silver).
- 9 Chain assembly is attached to footboard with square headed bolt (9-12) and hex nut (9-11).