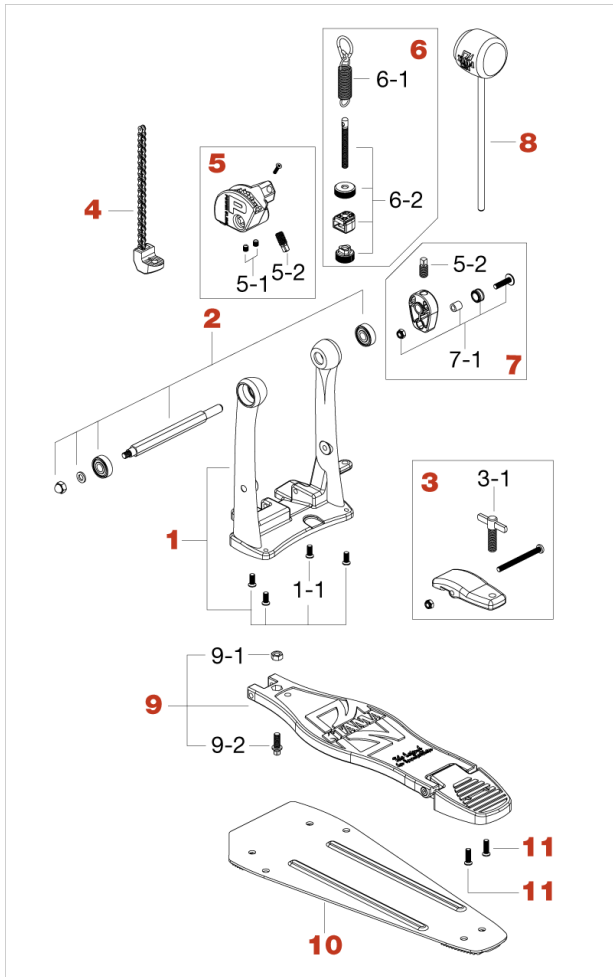


HP30P Drum Pedal

Production 2018/11



No.	Model No.	Description
1	HP30P1	Frame & screws
1-1	S512	Screw (M5x12mm)
2	HP30H2	Shaft assembly
3	HP30H3	Hoop clamp assembly
3-1	WS826	T-bolt (M8x26mm)
4	HP30H4	Chain assembly
5	HP30H5	Sprocket assembly
5-1	S56P	Screw (M5x6mm 2pcs/pack)
5-2	S812SH	Screw (M8x12mm)
6	HP3H7	Spring assembly
6-1	HP3H71	Spring & hook
6-2	HP2-72	Spring tight assembly
7	HP3H6	Rocker cam assembly
7-1	HP3H61	Plastic roller assembly
8	DS30	Dual sided beater
9	HP30H81	Footboard only
9-1	NT6	Nut (M6)
9-2	MS615SH	Screw (M6x15mm)
10	HP30P9	Stabilizing plate
11	S516	Screw (M5x16mm)