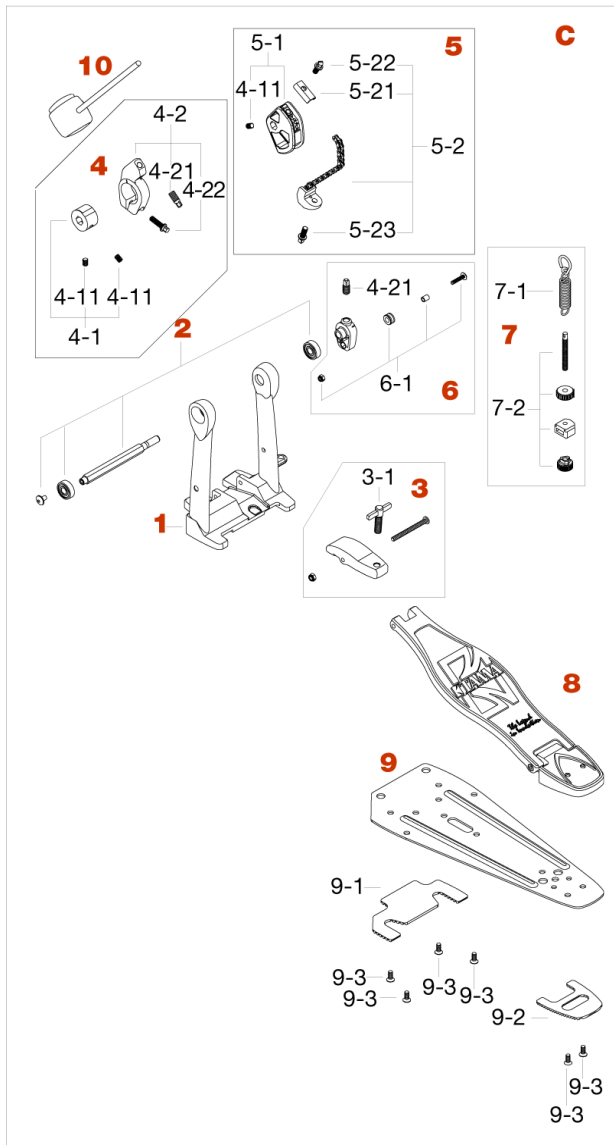


HP30CJ Bass Drum Pedal



No.	Model No.	Description
C	HP30CJ	Bass Drum Pedal
1	HP200P1	Frame only
2	HP302	Shaft Assembly
3	HP303	Hoop clamp assembly
3-1	WS826	T-bolt (M8x26mm)
4	HP914	Vari-Pitch beater holder complete
4-1	HP9-41	Vari-Pitch beater holder center casting w/screws
4-11	S68	Screw (M6x8mm)
4-2	HP9142	Vari-Pitch beater holder outer casting w/screws
4-21	S812SH	Square head bolt (M8x12mm)
4-22	L620C	Screw (M6x20mm, Chrome)
5	HP305W	Sprocket & chain assembly
5-1	HP305W1	Sprocket only w/screw
4-11	S68	Screw (M6x8mm)
5-2	HP2-52	Chain assembly w/screw
5-21	HP2-521	Pressure plate
5-22	MS612SH	Screw (M6x12mm)
5-23	MS615SH	Screw (M6x15mm)
6	HP2-6	Rocker piece assembly
6-1	HP2-61	Plastic roller assembly
4-21	S812SH	Screw (M8x12mm)
7	HP2-7	Spring assembly
7-1	HP2-71	Spring & hook
7-2	HP2-72	Spring tight assembly
8	HP3071	Footboard assembly
9	HP3H9	Stabilizing plate complete
9-1	HP3H91	Rubber plate for HP300 & HP300TW
9-2	HP3H92	Rubber plate for HP300 & HP300TW
9-3	S512	Screw (M5x12mm)
10	DS30	Dual sided beater