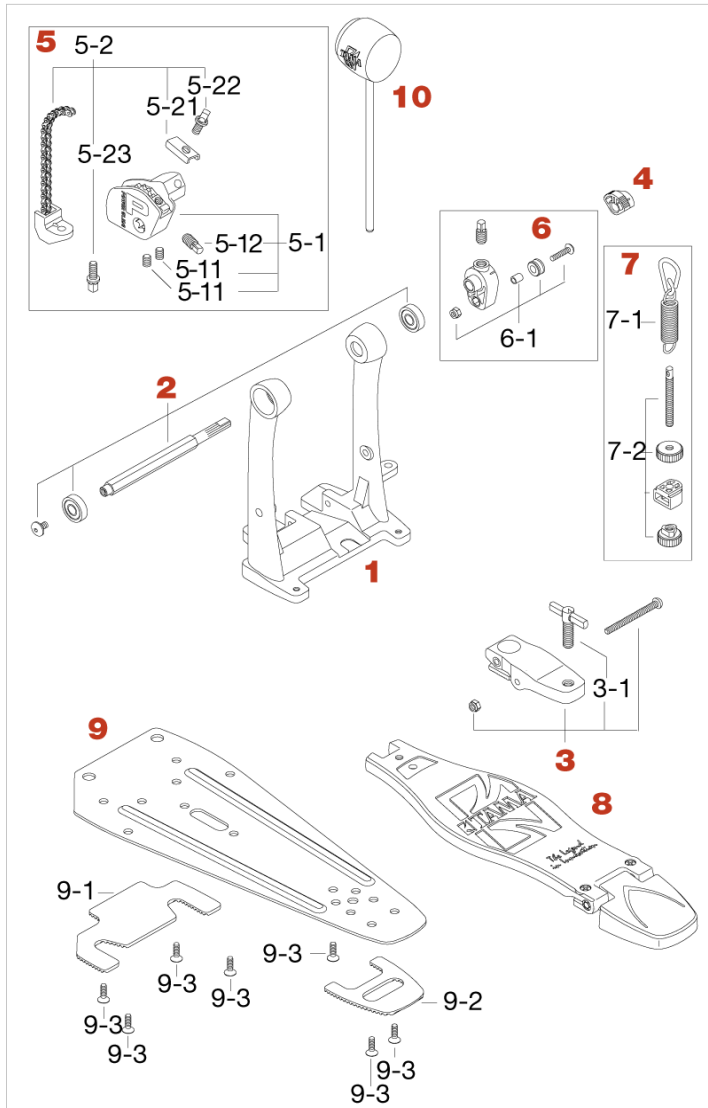


HP300 Drum Pedal <Discontinued>

Production from Jun. 2009 to Oct. 2014



No.	Model No.	Substitutable Model No.	Description
1	HP2-1 (Discontinued)	HP600D1	Frame only
2	HP3H2		Shaft Assembly
3	HP3H3		Para clamp assembly
3-1	WS826		T-bolt (M8x26mm)
4	AMC2		Angle memory cap
5	HP3H5 (Discontinued)	N/A	Sprocket & chain assembly
5-1	HP3H51 (Discontinued)	N/A	Spricket only w/screw
5-11	S68		Screw (M6x8mm)
5-12	S812SH		Screw (M8x12mm)
5-2	HP2-52		Chain assembly w/screw
5-21	HP2-521		Pressure plate
5-22	MS610SHP		Square head bolt (M6x10mm, 2pcs/set)
5-23	MS615SH		Screw (M6x15mm)
6	HP2-6		Rocker piece assembly
6-1	HP2-61		Plastic roller assembly
7	HP2-7		Spring assembly
7-1	HP2-71		Spring & hook
7-2	HP2-72		Spring tight assembly
8	HP3H8 (Discontinued)	HP600D9	Footboard assembly
9	HP3H9		Stabilizing plate complete
9-1	HP3H91		Rubber plate for HP300 & HP300TW
9-2	HP3H92		Rubber plate for HP300 & HP300TW
9-3	S512		Screw (M5x12mm)
10	DS30		Dual sided beater