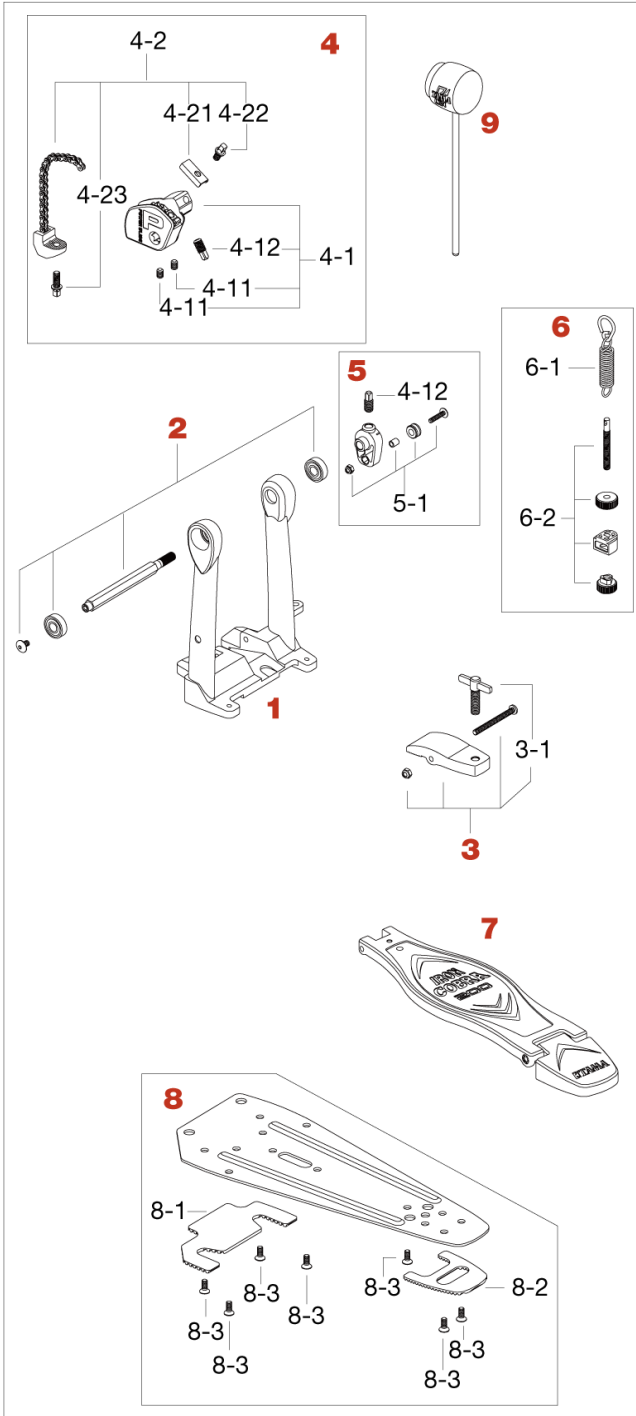


HP200P Iron Cobra Single Pedal

Production since Oct. 2013



No.	Model No.	Description
1	HP200P1	Frame only
2	HP302	Shaft Assembly
3	HP303	Hoop clamp assembly
3-1	WS826	T-bolt (M8x26mm)
4	HP305	Sprocket & chain assembly
4-1	HP3051	Sprocket only w/screw
4-11	S68	Screw (M6x8mm)
4-12	S812SH	Screw (M8x12mm)
4-2	HP2-52	Chain assembly w/screw
4-21	HP2-521	Pressure plate
4-22	MS610SHP	Square head bolt (M6x10mm, 2pcs/set)
4-23	MS615SH	Screw (M6x15mm)
5	HP2-6	Rocker piece assembly
5-1	HP2-61	Plastic roller assembly
6	HP2-7	Spring assembly
6-1	HP2-71	Spring & hook
6-2	HP2-72	Spring tight assembly
7	HP200P7	Footboard assembly
8	HP3H9	Stabilizing plate complete
8-1	HP3H91	Rubber plate
8-2	HP3H92	Rubber plate
8-3	S512	Screw (M5x12mm)
9	DS30	Dual sided beater