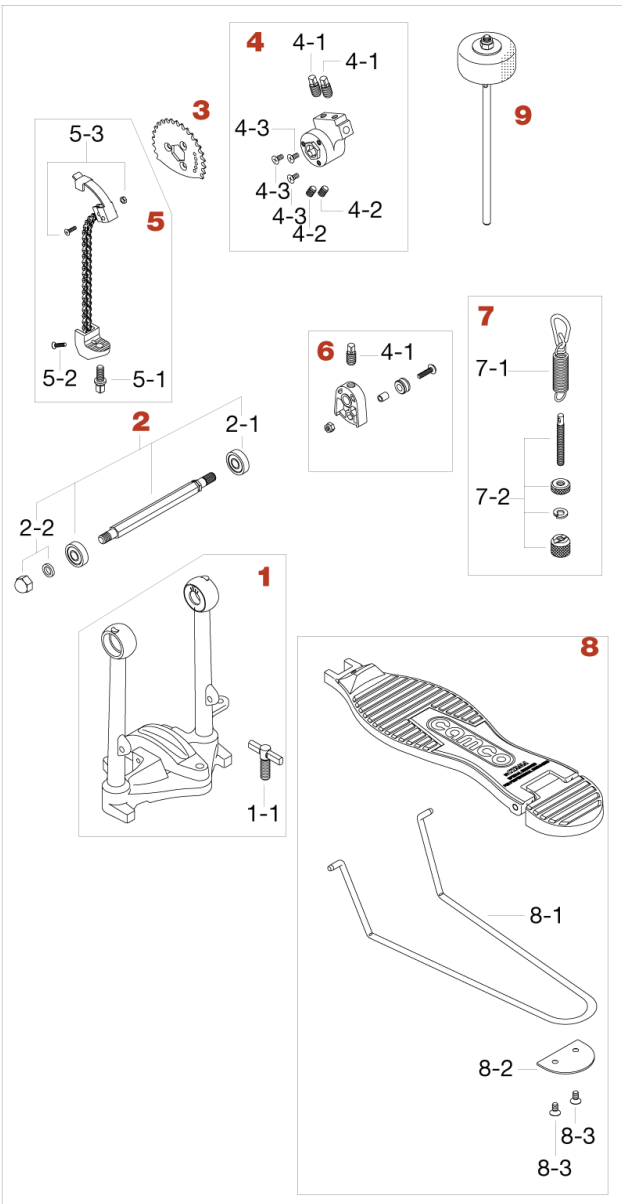


Camco HP35B Single Pedal

Production since 2011 (Limited reissue)



No.	Model No.	Substitutable Model No.	Description
1	HP35B1		Flame w/hoop clamp assembly
1-1	WS823		M8x23 Wing screw
2	HP35B2		Hex shaft assembly
2-1	HP35B21		Ball bearing only
2-2	HP35B22		M8 Acorn hex nut w/washer
3	HP35B3		Sprocket only
4	HP35B4		Beater holer w/screw
4-1	S812SH		M8x12 Squar headed bolt
4-2	S68		M6x8 Screw
4-3	S408		M4x8 Screw
5	HP35B5		Chain assembly complete
5-1	MS612SH		M6x12 Square headed bolt
5-2	S312		M3x12 screw
5-3	S312SHN		M3x12 screw w/nut
6	HP35B6		Rocker cam assembly
7	HP35B7		Spring assembly complete
7-1	HP2-7		Spring & hook
7-2	HP35B71		Adjust bolt & nut assenbly
8	HP35B8 (Discontinued)	N/A	Footboard assembly
8-1	HP35B81 (Discontinued)	N/A	Radius rod
8-2	HP35B82		Radius rod cover
8-3	S508 (Discontinued)	N/A	M5x8 screw
9	TTB30F		Beater