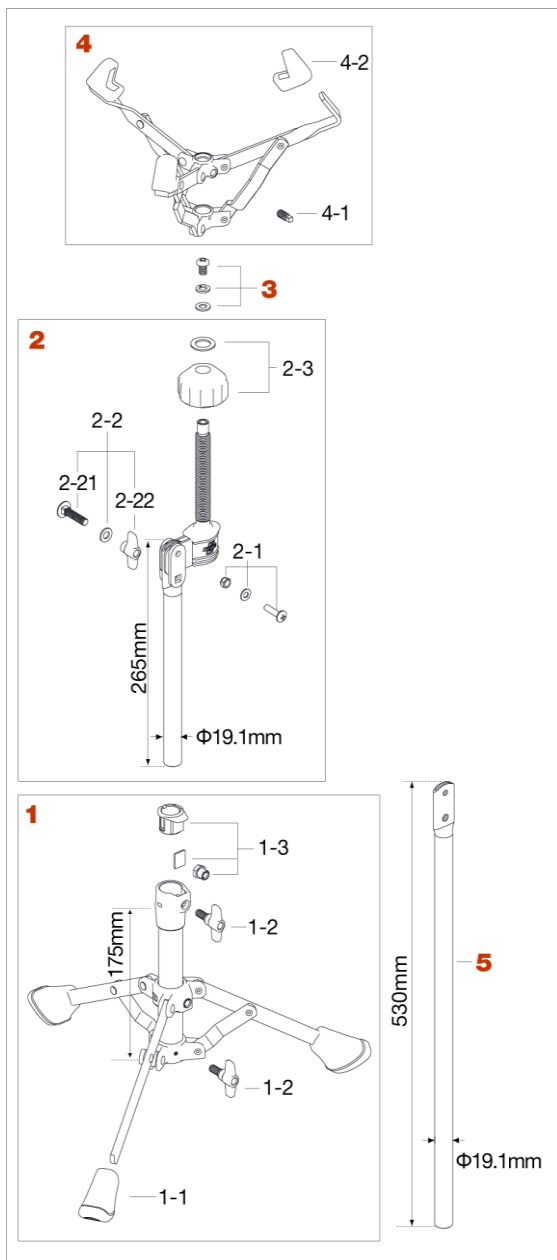


HS40TP Practice Pad Stand <Discontinued>

Production from Jan. 2017 to Oct. 2018



No.	Model No.	Substitutable Model No.	Description
1	HS40S1 (Discontinued)	N/A	Base assembly
1-1	RF3SP3		Rubber tip (3pcs/set) for single braced leg
1-2	TS816P		T-bolt (M8x16mm,2pcs/set)
1-3	NB2519S4		Nylon bushing(25.4mm-19.1mm) , plate, & nut assembly
2	HS30W2		Upper tube & tilter assembly
2-1	HS30W21		Bolt (M6x25mm), washer & nut assembly
2-2	B835WN8W		Bolt (M8x35mm), washer & nut assembly
2-21	B835		Bolt (M8x35mm)
2-22	WN8P		Wing nut (2pcs/set)
2-3	HS10-32		Arm adjust nut & metal washer
3	HS70W-26		Screw, spring washer & washer assembly
4	HS40TP4 (Discontinue)	N/A	Basket Assembly
4-1	S812SH		Square head bolt (M8x12mm)
4-2	RGTP3		Rubber gripper (3pcs/pack)
5	HS30TP3		Extra longer tube (for standing play)