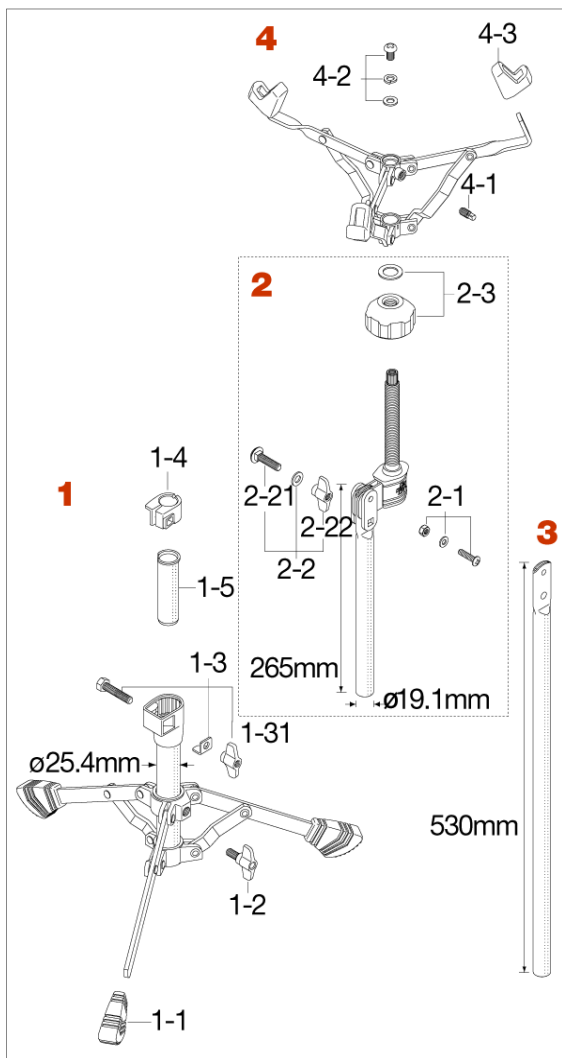


HS30TP Practice Pad Stand <Discontinued>

Production from May 2006 to Feb. 2015



No.	Model No.	Substitutable Model No.	Description
1	HS30S1 (Discontinued)	N/A	Base assembly
1-1	RFDSP3 (Discontinued)	RF3SP3	Rubber tip (3pcs/set), for single braced leg
1-2	TS816P		T-bolt (M8x16mm, 2pcs/set)
1-3	HB840WN8L		Bolt (M8x40mm), L-plate & nut assembly
1-31	WN8P		Wing nut (2pcs/set)
1-4	NB2219		Nylon bushing (25.4mm-19.1mm)
1-5	INS19N		Insert (Stabilizing) bushing (25.4mm-19.1mm)
2	HS30W2		Center tube
2-1	HS30W21		Bolt (M6x25mm), washer & nut assembly
2-2	B835WN8W		Bolt (M8x35mm), washer & nut assembly
2-21	B835		Bolt (M8x35mm)
2-22	WN8P		Wing nut (2pcs/set)
2-3	HS10-32		Arm adjust nut & metal washer
3	HS30TP3		Extra longer tube (for standing play)
4	HS30TP4 (Discontinued)	N/A	Basket assembly
4-1	S812SH		Square head bolt (M8x12mm)
4-2	HS70W-26		Screw, spring washer & washer assembly
4-3	RGTP3		Rubber gripper for practice pad stand (3pcs/set)