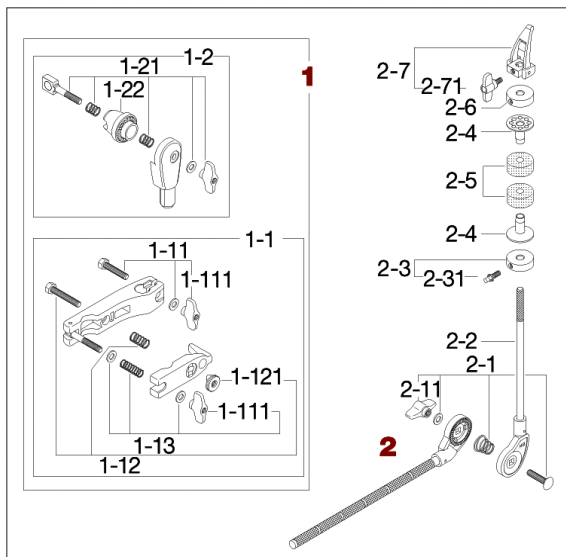


Closed Hi-Hat Attachment MXA63E <Discontinued>

Production from Dec. 2001 to Oct. 2009



No.	Model No.	Substitutable Model No.	Description
1	MC66		Universal clamp
1-1	MC61		Multi-clamp
1-11	HB840WN8		Bolt w/nut & washer
1-111	WN8P		Wing nut (M8, 2pcs/pack)
1-12	HB855RN8T		Bolt w/nut & spring
1-121	RN8		Round nut (M8)
1-13	WN8SPW		Wing nut (M8) w/spring & washers
1-2	MTA6		Boom tilter assembly
1-21	EBA8WN8T		Bolt, springs, washer & nut assembly
1-22	EHZN2		Boom tilter casting
2	MXA63E-2 (Discontinued)	MXA532	Upper rod complete (M8)
2-1	B835WN8T		Bolt, spring, washer & nut assembly
2-11	WN8P		Wing nut (M8, 2pcs/pack)
2-2	CSA30E-11		Tilter only
2-3	CSA30E-12		Metal washer w/square head bolt
2-31	MS615SH		Square head bolt (M6x15mm)
2-4	CSA30-13		Cymbal bottom seat
2-5	7081P		Felt washer (2pcs/pack)
2-6	MXA63E-26		Metal washer
2-7	MXA63E-27 (Discontinued)	MXA5327	Tension lever assembly
2-71	TS610		T-bolt (M6x10mm)