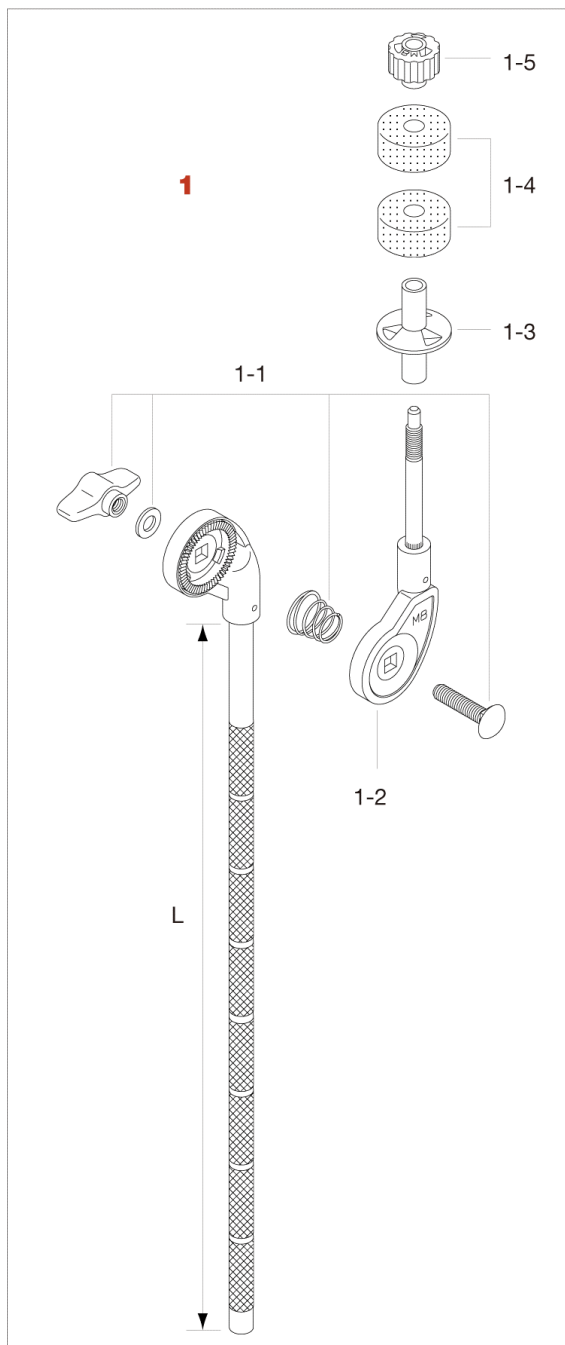


# Boom Arm MCB30E / MCB45E <Discontinued>

Production from Dec. 2001 to Oct. 2013



No.	Model No.	Substitutable Model No.	Description
<b>1</b>	MCB30E (Discontinued)	MCB30EB	Boom Arm (L: 300mm)
	MCB45E (Discontinued)	MCB45EB	Boom Arm (L: 450mm)
1-1	B835WN8T		Bolt, spring, washer & nut assembly
1-2	CT44-11		Cymbal tilter only
1-3	RB8P		Cymbal bottom (2pcs/pack)
1-4	7081P		Felt washer (2pcs/pack)
1-5	CM8P		Fixing nut (M8, 2pcs/pack)