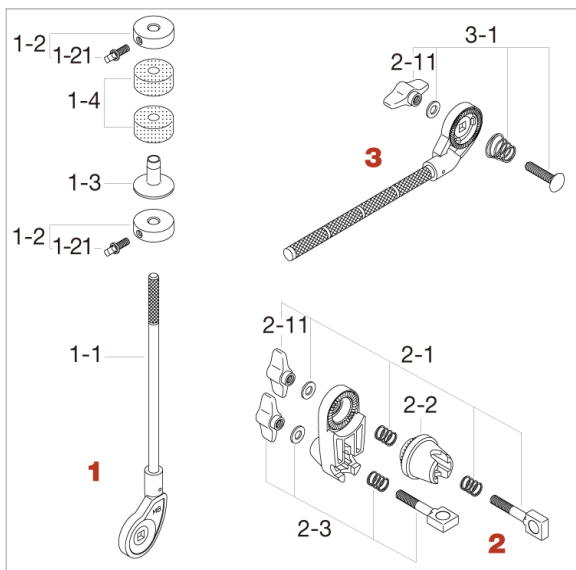


Cymbal Stacker CSA30E <Discontinued>

Production from Dec. 2001 to July 2005



No.	Model No.	Substitutable Model No.	Description
1	CSA30E-1 (Discontinued)	N/A	Tilter assembly
1-1	CSA30E-11		Tilter only
1-2	CSA30-12		Metal washer w/ square head bolt
1-21	MS615SH		Square head bolt (M6x15mm)
1-3	CSA30-13		Cymbal bottom seat
1-4	7081P		Felt washers (2pcs/pack)
2	MC5 (Discontinued)	MC5B	Compact clamp
2-1	EBA8WN8T		Bolt, springs, washer & nut assembly
2-11	WN8P		Wing nut (M8, 2pcs/pack)
2-2	EHZN2		Boom tilter casting
2-3	EBA8WN8W		Bolt, spring, washer & nut assembly
3	MCB20E-1 (Discontinued)	N/A	Upper rod assembly
3-1	B835WN8T		Bolt, spring, washer & nut assembly