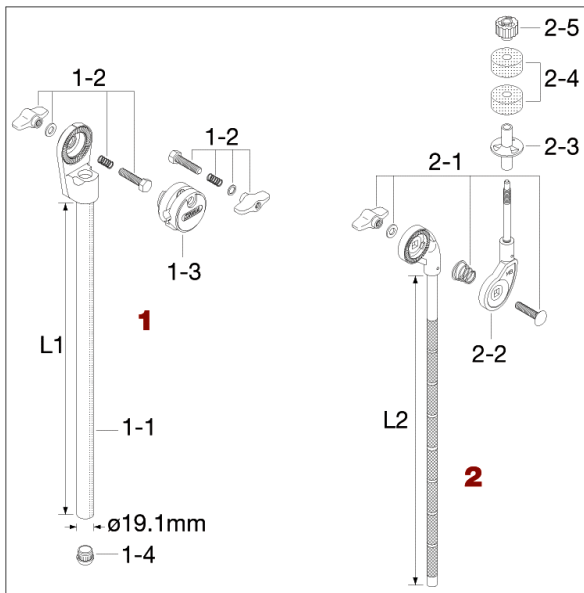


Cymbal Attachment CA30E / CA45E <Discontinued>

Production from 2002 to 2009



No.	Model No.	Substitutable Model No.	Description
1	MTA30 (Discontinued)	MTA30B	Ratchet arm(L1:300mm)
1	MTA45 (Discontinued)	MTA45B	Ratchet arm(L1:450mm)
1-1	MTA30R-1		Tube only for MTA30
	MTA45R-1		Tube only for MTA45
1-2	HB835WN8T		Bolt (M8x35mm), spring, washer & nut assembly
1-3	HC83B-33		Pressure casting
1-4	IRC19S		Insert rubber cap (19.1mm)
2	MCB30E (Discontinued)	MCB30EB	Boom arm (L2:300mm)
2	MCB45E (Discontinued)	MCB45EB	Boom arm (L2:450mm)
2-1	B835WN8T		Bolt, spring, washer & nut assembly
2-2	CT44-11		Cymbal tilter only
2-3	RB8P		Cymbal bottom (2pcs/pack)
2-4	7081P		Felt washer (2pcs/pack)
2-5	CM8P		Fixing nut (M8, 2pcs/pack)