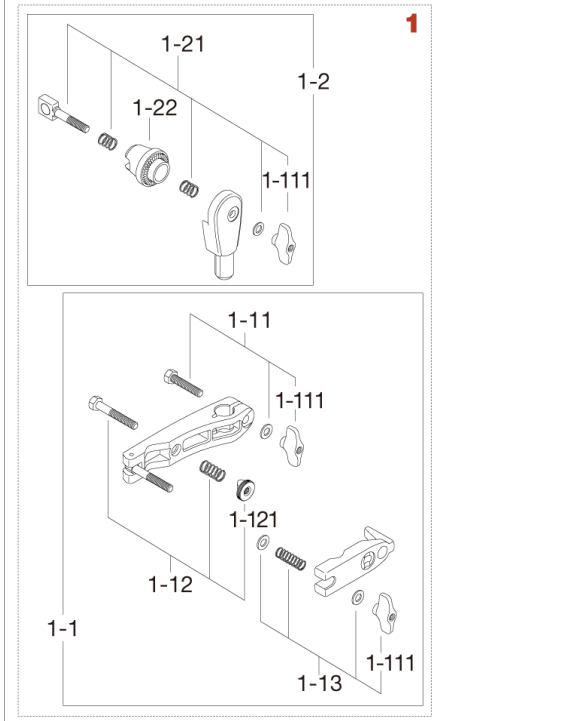
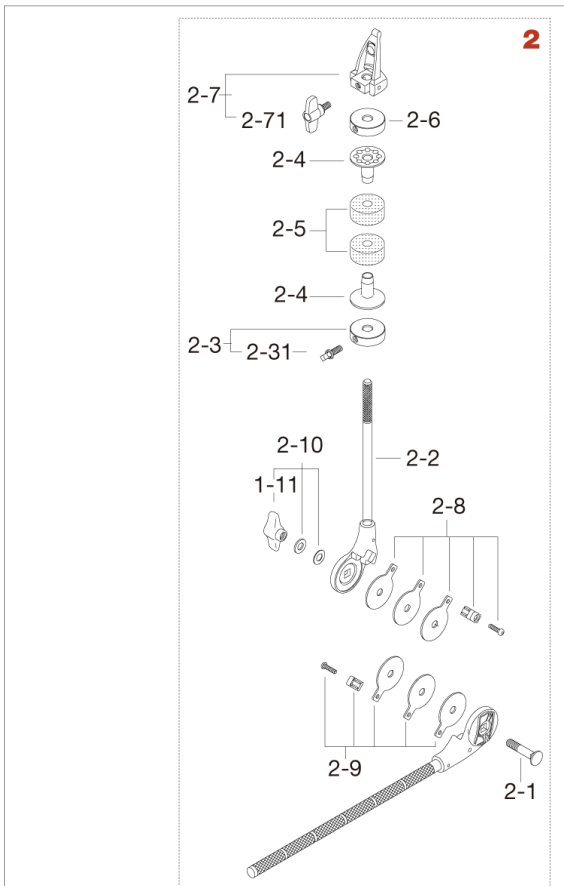


Closed Hi-Hat Attachment MXA63EN <Discontinued>

Production from Nov. 2009 to Oct. 2011



No.	Model No.	Substitutable Model No.	Description
<b>1</b>	MC66		<b>Universal clamp</b>
1-1	MC61		<b>Multi-Clamp</b>
1-11	HB840WN8		<b>Bolt w/ nut &amp; washer</b>
1-111	WN8P		<b>Wing nut (M8, 2pcs/pack)</b>
1-12	HB855RN8T		<b>Bolt w/ nut &amp; spring</b>
1-121	RN8		<b>Round nut (M8)</b>
1-13	WN8SPW		<b>Wing nut (M8) w/ spring &amp; washers</b>
1-2	MTA6		<b>Boom tilter assembly</b>
1-21	EBA8WN8T		<b>Bolt, springs, washer &amp; nut assembly</b>
1-22	EHZN2		<b>Boom tilter casting</b>
<b>2</b>	MXA63EN2		<b>Upper rod complete (M8)</b>
2-1	B840		<b>Bolt (M8x40mm)</b>
2-2	MXA63EN22 (Discontinued)	N/A	<b>Tilter only</b>
2-3	CSA30E-12		<b>Metal washer w/ square head bolt</b>
2-31	MS615SH		<b>Square head bolt (M6x15mm)</b>
2-4	CSA30-13		<b>Cymbal bottom seat</b>
2-5	7081P		<b>Felt washer (2pcs/pack)</b>
2-6	MXA63E-26		<b>Metal washer</b>
2-7	MXA63E-27 (Discontinued)	MXA5327	<b>Tension lever assembly</b>
2-71	TS610		<b>T-bolt (M6x10mm)</b>
2-8	CT44-FPC		<b>Friction plates (Chrome), plate and bolt assembly</b>
2-9	CT44-FPB (Discontinued)	CT44-FPC	<b>Friction plates (black), plate and bolt assembly</b>
2-10	WN8WTW		<b>T-nut (M8), washer, belleville washer assembly</b>