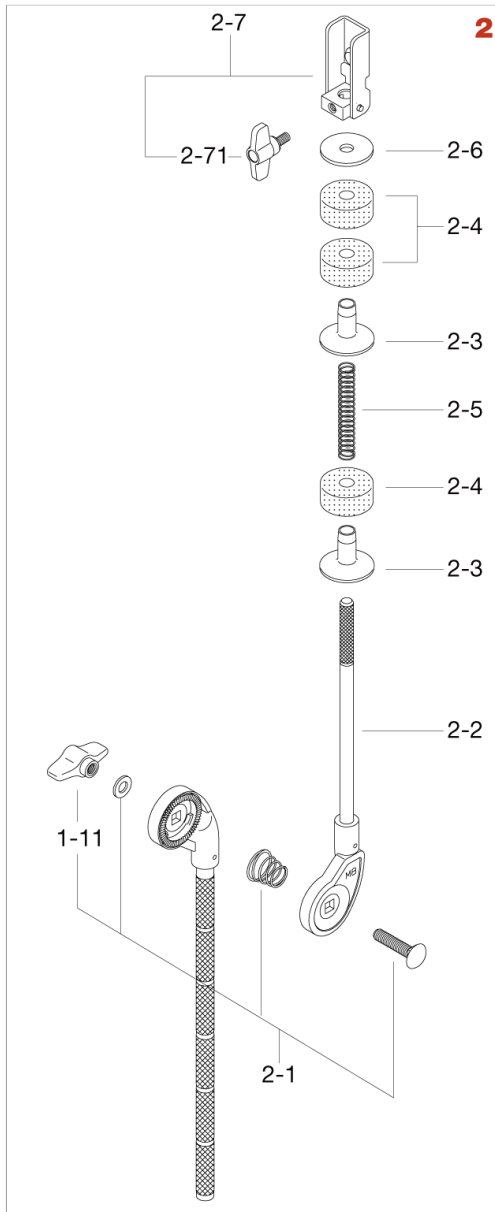


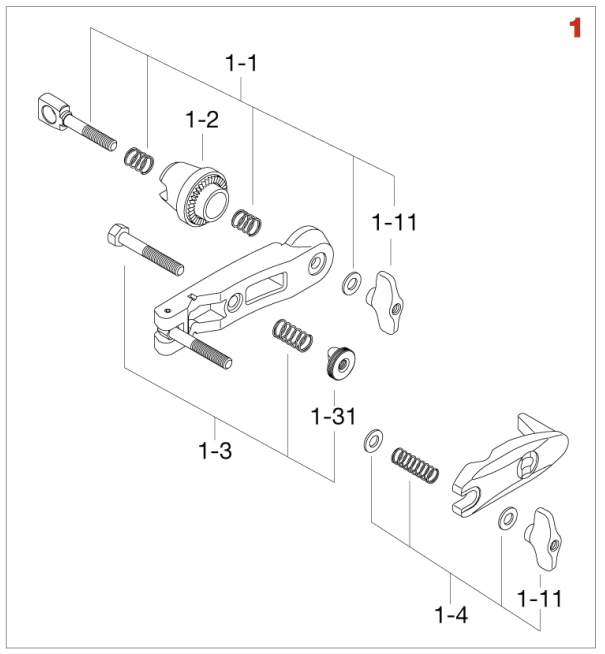
# Closed Hi-Hat Attachment MXA53

Production from Nov. 2011



**2**

No.	Model No.	Description
<b>1</b>	MC56	<b>Multi Clamp</b>
1-1	EBA8WN8T	Bolt, springs, washer & nut assembly
1-11	WN8P	Wing nut (2pcs/pack)
1-2	EHZN2	Boom tilter casting
1-3	HB855RN8T	Bolt w/nut & spring
1-31	RN8	Round nut (M8)
1-4	WN8SPW	Wing nut (M8) w/spring & washers
<b>2</b>	MXA532	<b>Upper rod complete (M8)</b>
2-1	B835WN8T	Bolt, spring, washer & nut assembly
2-2	CSA30E-11	Tilter only
2-3	CSA3013N	Cymbal bottom seat
2-4	7081P	Felt washer (2pcs/pack)
2-5	MXA5325	Spring
2-6	MXA5326	Metal washer
2-7	MXA5327	Tension lever assembly
2-71	TS610	T-bolt (M6x10mm)



**1**