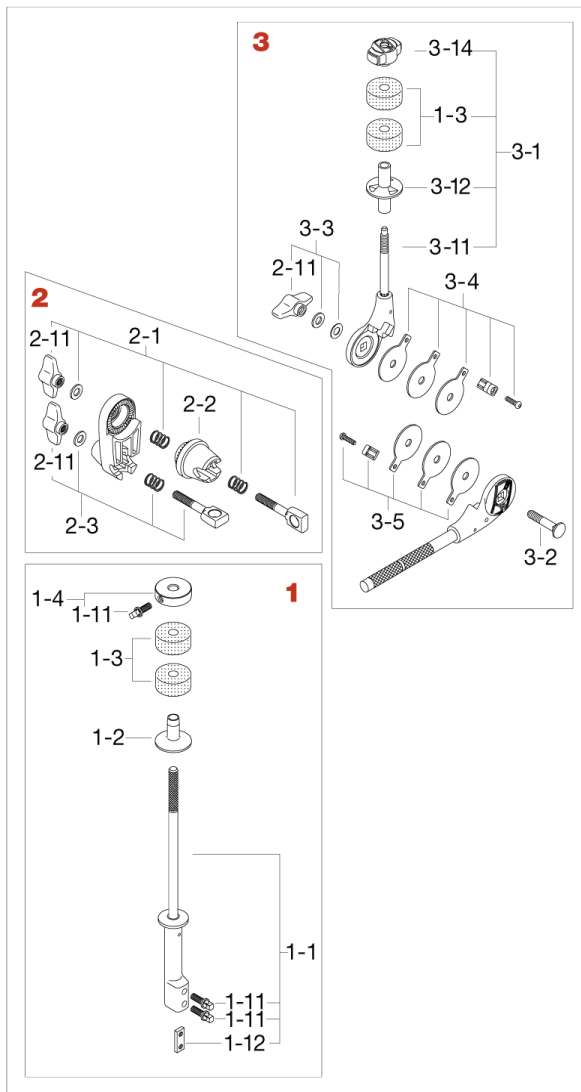


# Cymbal Stacker CSA35N <Discontinued>

Production from Nov. 2009 to Jan. 2017



No.	Model No.	Substitutable Model No.	Description
<b>1</b>	CSA351		<b>Cymbal Stacker Base Tube</b>
1-1	CSA3511		Cymbal stacker base tube only
1-11	MS615SH		Square head bolt (M6x15mm)
1-12	CNR90-5		Pressure pad
1-2	CSA30-13		Cymbal bottom seat
1-3	7081P		Felt washer (2pcs/pack)
1-4	CSA30-12		Metal washer w/square head bolt
<b>2</b>	MC5 (Discontinued)	MC5B	<b>Compact clamp</b>
2-1	EBA8WN8T		Bolt, springs, washer & nut assembly
2-11	WN8P		Wing nut (M8, 2pcs/pack)
2-2	EHZN2		Boom tilter casting
2-3	EBA8WN8W		Bolt, spring, washer & nut assembly
<b>3</b>	MCB15EN (Discontinued)	N/A	<b>Cymbal Boom Arm</b>
3-1	CT44Q		Cymbal tilter assembly
3-11	CT44-11N		Cymbal tilter only
3-12	RB8P		Cymbal bottom (2pcs/pack)
3-14	QC8		Quick-set cymbal mate
3-2	B840		Bolt (M8x40mm)
3-3	WN8WTW		T-nut (M8), washer, belleville washer assembly
3-4	CT44-FPC		Friction plates (Chrome), plate and bolt assembly
3-5	CT44-FPB (Discontinued)	CT44-FPC	Friction plates (black), plate and bolt assembly