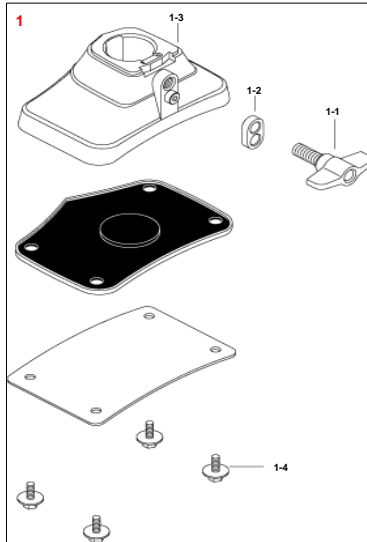
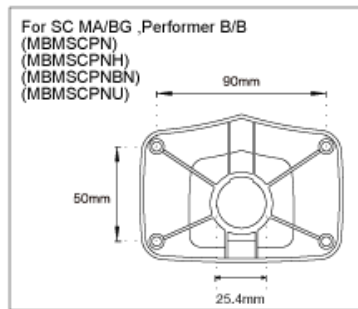


Tom Holder Base

⊘ : discontinued model

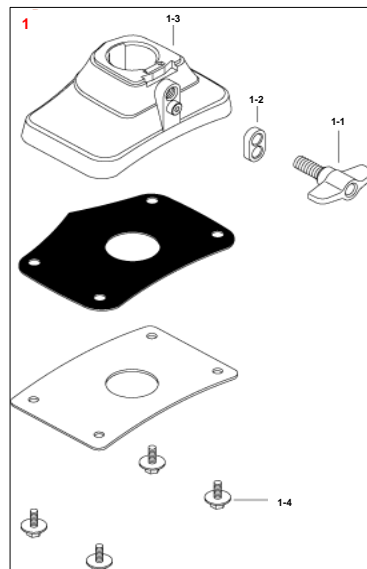


Hole interval

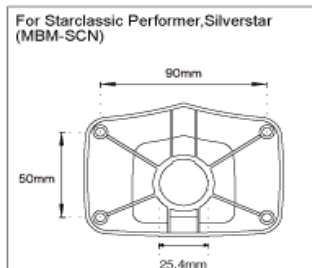


Starclassic

No.	Model No.	Description
1	MBMSCPUN	Tom Holder Base (Chrome plated finish)
	MBMSCPBNH	Tom Holder Base (Black Nickel plated finish)
	MBMSCPBN	Tom Holder Base (Smoked Black Nickel plated finish)
1-1	TS818P	T-bolt M8x18mm (Chrome finish 2pcs/set)
	TS818BNP	T-bolt M8x18mm (Black Nickel finish 2pcs/set)
	TS818UP	T-bolt M8x18mm (Smoked Black Nickel 2pcs/set)
1-2	TBSTOP	T-bolt Stopper
1-3	MBM-SCN1	Base mount (Chrome finish)
	MBM-SCBN1	Base mount (Black Nickel finish)
	MBM-SCUN1	Base mount (Smoked Black Nickel finish)
1-4	MS416B20P	Mounting screw M4x16mm (20pcs/set)



Hole interval

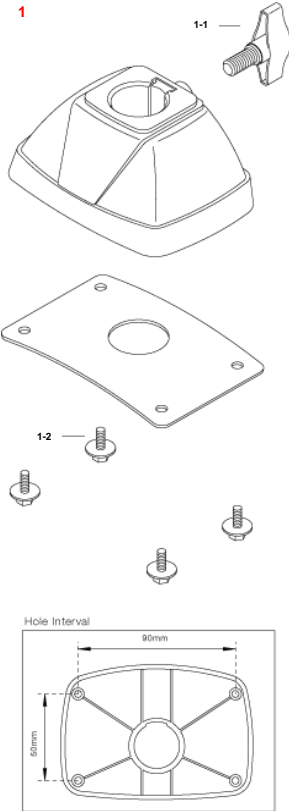


Starclassic Performer, Superstar, Superstar Classic, Silverstar

No.	Model No.	Description
1	MBM-SCN	Tom Holder Base for MTH905N,MTH900BM
1-1	TS818P	T-bolt M8x18mm (2pcs/pack)
1-2	TBSTOP	T-bolt Stopper
1-3	MBM-SCN1	Casting and Plate
1-4	MS416B20P	Mounting screw (M4x16mm, Black), 20pcs/set

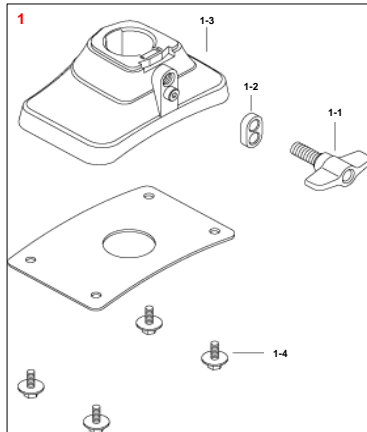
Tom Holder Base

⊘ : discontinued model



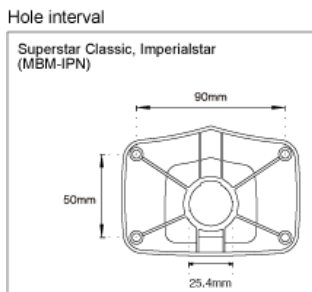
Imperialstar (2019~(IE MODEL)), Rhyrh Mate, Club-JAM

No.	Model No.	Description
1	MBM10	Tom Holder Base
1-1	TS816RM	T-bolt M8x16mm
1-2	MS414B20P	Mounting screw M4x14mm (20pcs/set)



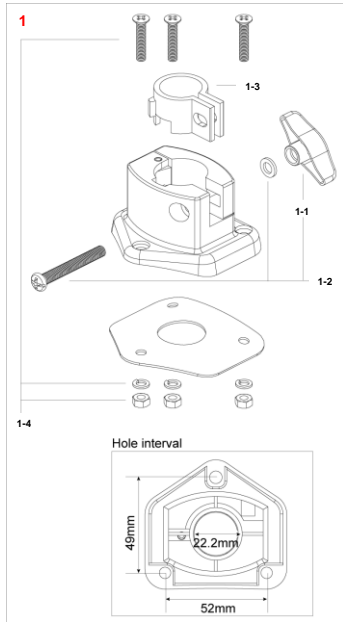
Imperialstar (2005~2018, 2023~(IP MODEL)), Swingstar (2011~2016)

No.	Model No.	Description
1	MBM-IPN	Tom Holder Base Chrome plated finish
	MBM-IPBNN	Tom Holder Base Black Nickel plated finish
1-1	TS818P	T-bolt M8x18mm Chrome finish (2pcs/set)
	TS818BNP	T-bolt M8x18mm Black Nickel finish (2pcs/set)
1-2	TBSTP	T-bolt Stopper
1-3	MBM-SCN1	Base mount Chrome finish
	MBM-SCBNN1	Base mount Black Nickel finish
1-4	MS414B20P	Mounting screw M4x14mm (20pcs/set)



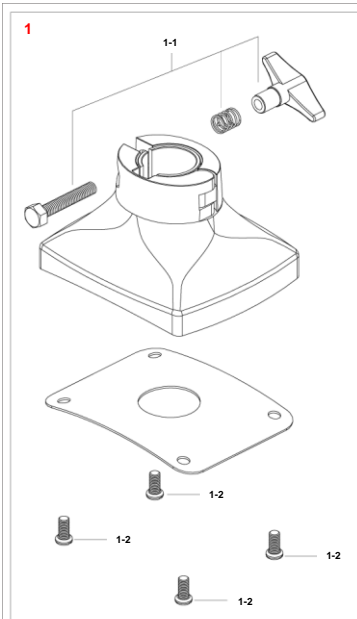
Tom Holder Base

⊘ : discontinued model



Club-JAM Flyer

No.	Model No.	Description
1	MBM05	Tom holder base assembly
1-1	WN8RM	Wing nut M8
1-2	B645WN6R	Wing nut M8, bolt & washer
1-3	PB222R	Plastic sleeve
1-4	MSS420R	Mounting bolt, nut & washer



Stagestar (2016~)

No.	Model No.	Description
1	MBM03	Tom holder base assembly
1-1	HB634WN6J	Bolt(M6x34mm), spring & T-nut assembly
1-2	MS509BE20P	Mounting screw (M5x9mm, 20pc/set)

