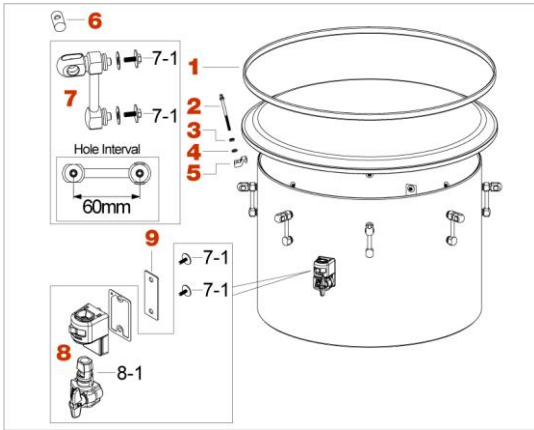
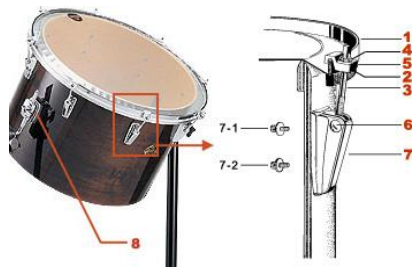


# Original Percussion

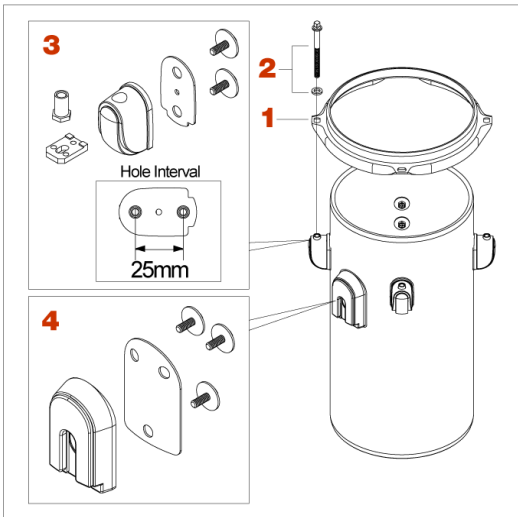
Production from Nov. 2020



Maple Gong Bass Drum - MG20R		
No.	Model No.	Description
1	6602	22" Metal Hoop
2	MS676SHP	Tension Bolt W7/32x76mm (2pcs/set)
3	SRW620P	Hold Tight Washers (20pcs/set)
4	PW620	Plastic Washers (20pcs/set)
5	6595	Claw Hook
6	GN5	Round Nut
7	MTLGB	Lug w/Screw
7-1	MS412B20P	Mounting Screw M4x12mm (20pcs/set)
8	MTB90	Bracket w/Spacer & Screw
8-1	MTB90A2	Memory Lock
9	MTB20-6	Metal Back Plate for Bracket



Gong Bass Drum <span style="color: red;">⊘</span> discontinued model		
No.	Model No.	Description
1	6602	22" Metal hoop
2	6595	Hook
3	MS686SHP	Tension Bolt W7/32x86mm (2pcs/set)
4	SRW620P	Hold Tight Washers (20pcs/set)
5	PW620	Plastic Washers (20pcs/set)
6	GN5	Round Nut
7	6592	Lug w/Screw
7-1	MS514BK	Mounting Screw M5x14mm
7-2	MS516BK2	Mounting Screw M5x16mm
8	MTB30	Bracket w/Screw



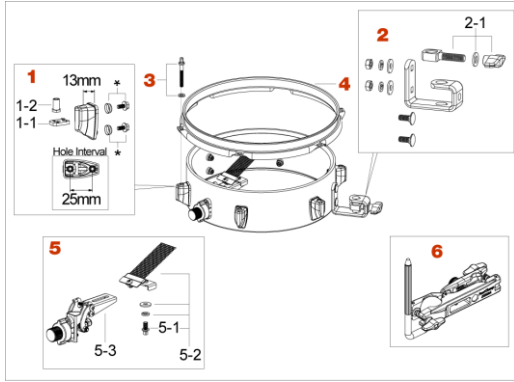
Octoban		
Model No.	Description	
OCT280N	Octoban 6"x280mm	
OCT301N	Octoban 6"x301mm	
OCT343N	Octoban 6"x343mm	
OCT390N	Octoban 6"x390mm	
OCT443N	Octoban 6"x443mm	
OCT472N	Octoban 6"x472mm	
OCT536N	Octoban 6"x536mm	
OCT600N	Octoban 6"x600mm	

No.	Model No.	Description
1	MFH6-OCT	Triple Flanged Hoop for Octoban
2	MS661SHOP	Short square head bolt W7/32x61mm (2pcs/set)
3	MSL-SCT	Lug w/ Screws
4	MTB-OCT	Bracket w/ Screws

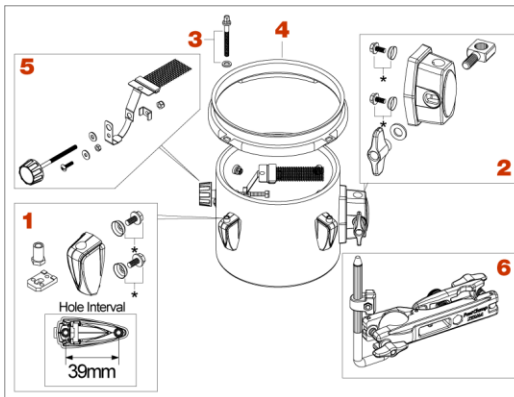
# Original Percussion

Production from Nov. 2021



Metalworks "Effect" Mini-Tymp Snare Drums	
Model No.	Description
BST63MBK	6"x3" Mini-Tymp Snare Drum
BST83MBK	8"x3" Mini-Tymp Snare Drum
BST103MBK	10"x3" Mini-Tymp Snare Drum
BST143MBK	14"x3" Mini-Tymp Snare Drum

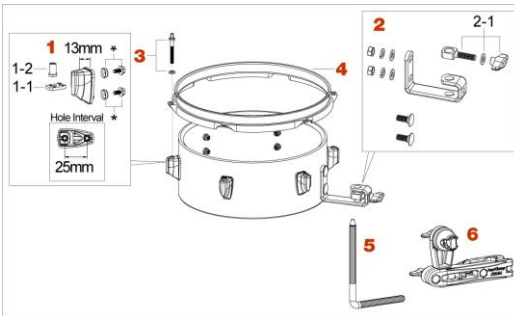
No.	Model No.	Description
1	MSL80TBK	Lug
1-1	6375	Nylon Lug Nut Stopper
1-2	6374	Lug Nut
2	MTBS6810	Bracket for Mini-Tymp Snare Drum (1pc)
2-1	EBA830WN	Eye Bolt, Washer & Nut Assembly
3	MS642SHPBN	Tension Bolt W7/32x42mm (2pcs/set)
4	MFH6-4BK	Triple Flanged Hoop 6" 4 hole
	MFH8-4BK	Triple Flanged Hoop 8" 4 hole
	MFH10-6BK	Triple Flanged Hoop 10" 6 hole
	MFH14-6BK	Triple Flanged Hoop 14" 6 hole
5	TIS10	Mod-Tone System w/Half Snappy Unit for 6"-10"
	TIS30	Mod-Tone System w/Half Snappy Unit for 14"
5-1	MS610SHP	Square Head Bolt M6x10mm (2pcs/set)
5-2	TIS10-1	12 strands Half Snappy Unit for 6"-10"
	TIS30-1	30 strands Half Snappy Unit for 14"
5-3	TIS10-2	Mod-Tone System
6	MC69	Single Tom Adapter
*sold separately	MS410R20P	Mounting Screw M4x10mm w/rosette (20pcs/set)



Mini-Tymp Snare Drums		discontinued model
Model No.	Description	
STS065M	6"x5" Mini-Tymp Snare Drum	
STS085M	8"x5" Mini-Tymp Snare Drum	
STS105M	10"x5" Mini-Tymp Snare Drum	

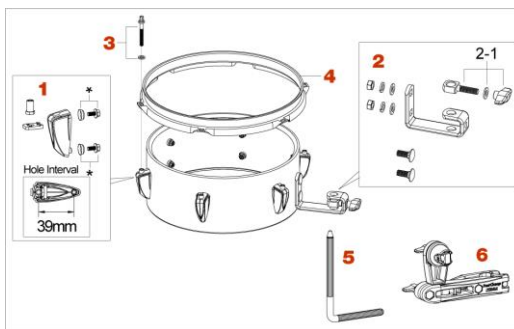
No.	Model No.	Description
1	MSL60T	Lug
2	MTB25E	Tom Bracket
3	MS648SHP	Tension Bolt W7/32x48mm (2pcs/set)
4	MFH6-4	Triple Flanged Hoop 6" 4hole
	MFH8-4	Triple Flanged Hoop 8" 4hole
	MFH10-6	Triple Flanged Hoop 10" 6hole
5	TMP8SA2	Half Snappy Assembly for STS065M
	TMP8SA	Half Snappy Assembly for STS085M/STS105M
6	MC69	Single Tom Adapter
*sold separately	MS410R20P	Mounting Screw M4x10mm w/rosette (20pcs/set)

Production from Nov. 2019



Metalworks "Effect" Steel Mini-Tymps	
Model No.	Description
MT68STBK	6"x4" & 8"x4" Steel Tymp Set
MT810STBK	8"x4" & 10"x4" Steel Tymp Set
MT1012STBK	10"x4" & 12"x4" Steel Tymp Set

No.	Model No.	Description
1	MSL80TBK	Lug for Tom Tom, Floor Tom & Snare Drum
1-1	6375	Nylon Lug Nut Stopper
1-2	6374	Lug Nut
2	MTB6810	Bracket for Mini Tymp (1pc)
2-1	EBA830WN	Eye Bolt, Washer & Nut Assembly
3	MS642SHPBN	Tension Bolt W7/32x42mm (2pcs/set)
4	MFH6-4BK	Triple Flanged Hoop 6" 4 hole
	MFH8-4BK	Triple Flanged Hoop 8" 4 hole
	MFH10-6BK	Triple Flanged Hoop 10" 6 hole
	MFH14-6BK	Triple Flanged Hoop 14" 6 hole
5	LLT	L-Rod for Tom Tom
6	MC66	Multi-Clamp
*sold separately	MS410R20P	Mounting Screw M4x10mm w/rosette (20pcs/set)

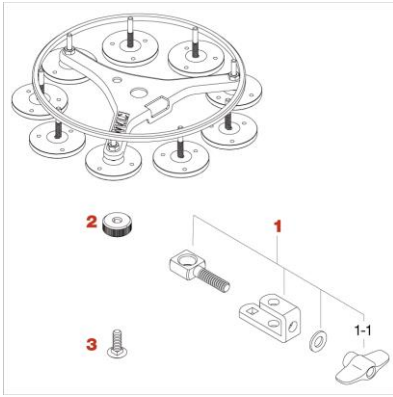


Steel Mini-Tymps		discontinued model
Model No.	Description	
MT68ST	6"x4" & 8"x4" Steel Tymp Set	
MT810ST	8"x4" & 10"x4" Steel Tymp Set	
MT1012ST	10"x4" & 12"x4" Steel Tymp Set	

No.	Model No.	Description
1	MSL60T	Lug
2	MTB6810	Bracket for Mini Tymp (1pc)
2-1	EBA830WN	Eye Bolt, Washer & Nut Assembly
3	MS648SHP	Tension Bolt W7/32x48mm (2pcs/set)
4	MFH6-4	Triple Flanged Hoop 6" 4hole
	MFH8-4	Triple Flanged Hoop 8" 4hole
	MFH10-6	Triple Flanged Hoop 10" 6hole
5	LLT	L-Rod for Tom Tom
6	MC66	Multi-Clamp


## Original Percussion

Production from Nov. 2012



Jingle Ring - TJR7		
No.	Model No.	Description
1	EBS830WJ	Mounting Unit Assembly
1-1	WN8P	Wing Nut (2pcs/set)
2	NN6	Nylon Nut
3	B615	Bolt M6x15mm



Sonic Cowbells		 discontinued model
Model No.	Description	
TSC4	4" Cowbell	
TSC6	6" Cowbell	
TSC8	8" Cowbell	

No.	Model No.	Description
1	EBA820WN8S	Eye bolt, spring washer, washer & wing nut assembly