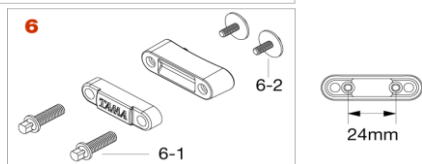
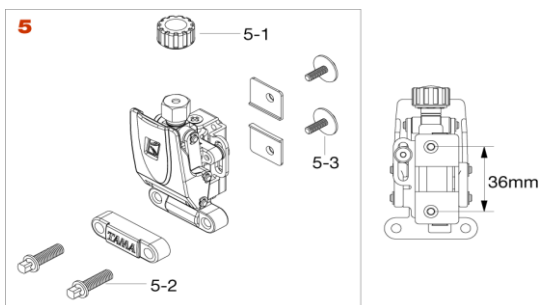
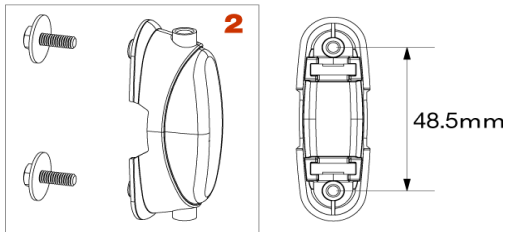
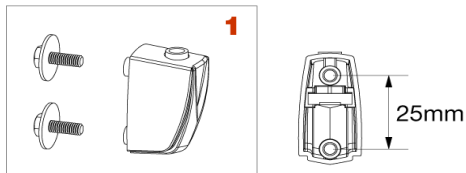
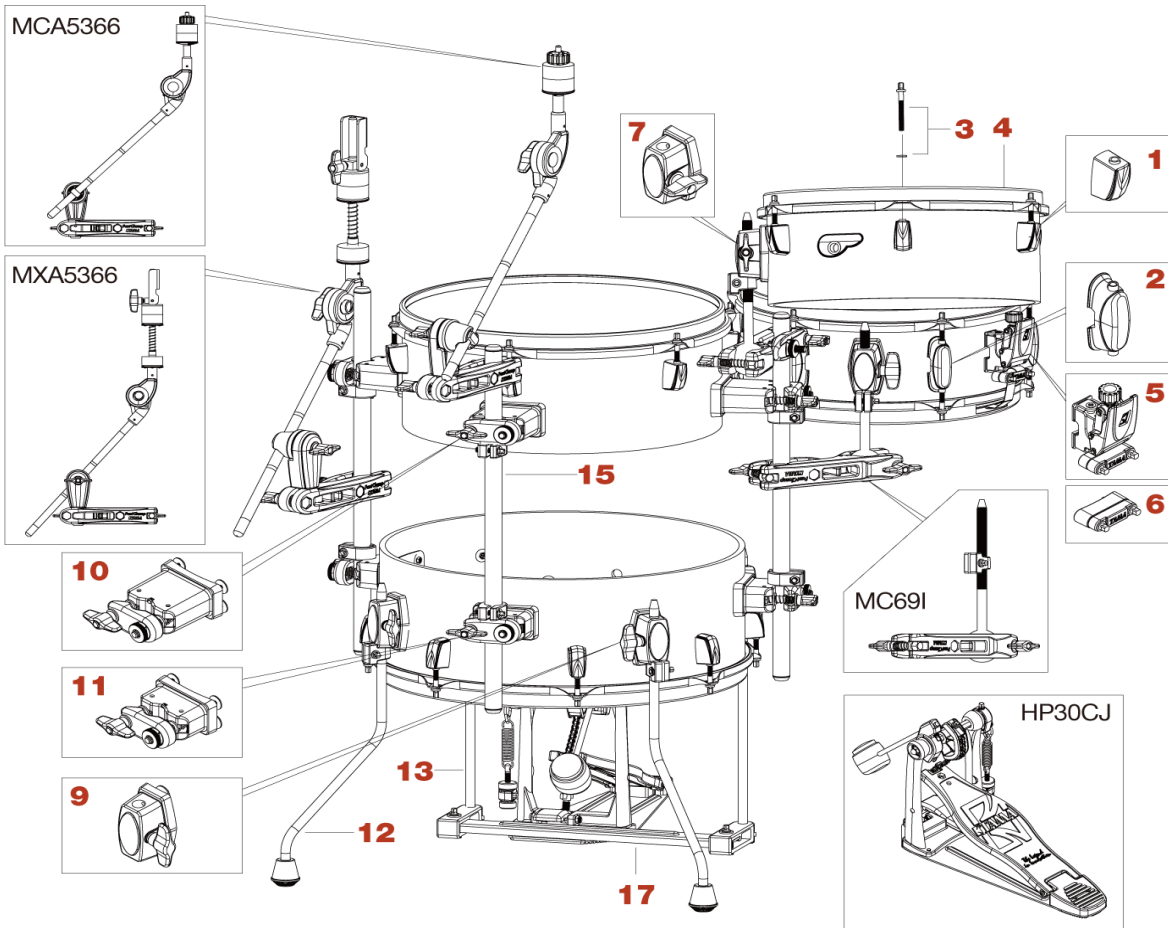


Cocktail-JAM & Cocktail-JAM Mini



Lugs		
No.	Model No.	Description
1	MSL70T	Lug for Cocktail-JAM, Cocktail-JAM Mini
*sold separately		MS412B20P Mounting Screw M4x12mm (20pcs/set)
2	MSL35	Lug for snare drum w/screw

Tension Bolt		
No.	Model No.	Description
3	MS648SHP	Tension bolt W7/32x48mm (2pcs/set)

Hoops		
No.	Model No.	Description
Sound Arc Hoop (1.6mm) for Cocktail-JAM		
4	MFS10-6	Sound Arc Hoop 10" 6 hole
	MFS12-6	Sound Arc Hoop 12" 6 hole
	MFS14-6	Sound Arc Hoop 14" 6 hole
	MFS16-8	Sound Arc Hoop 16" 8 hole
	MFS12S-6	Sound Arc Hoop 12" 6 hole (for Snare side)
Regular Triple Flanged Hoops (1.6mm) for Cocktail-JAM Mini		
4	MFH8-4	Triple Flanged Hoop 8" 4 hole
	MFH10-6	Triple Flanged Hoop 10" 6 hole
	MFH12-6	Triple Flanged Hoop 12" 6 hole
	MFH14-6	Triple Flanged Hoop 14" 6 hole
	MFH10S-6	Triple Flanged Hoop 10" 6 hole (for Snare side)

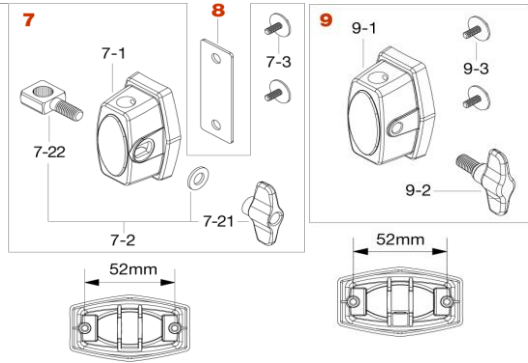
Strainer & Butt		
No.	Model No.	Description
5	MCS70A*	Snare strainer w/screw
5-1	MUS80A-11	Knob Head
5-2	MS620SH	Square head bolt M6x20mm
5-3	MS414B20P	Mounting screw M4x14mm (20pcs/set)

*MCS70A come standard with MS414HSB mounting screw.

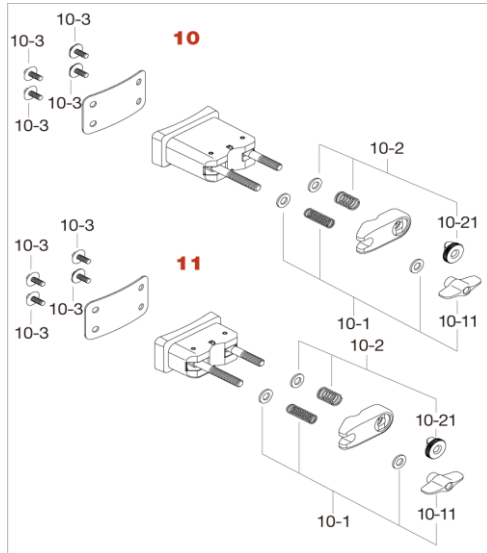
No.	Model No.	Description
6	MCS70B*	Snare butt w/Screw
6-1	MS620SH	Square head bolt M6x20mm
6-2	MS412B20P	Mounting screw M4x12mm (20pcs/set)

*MCS70B come standard with MS412HSB mounting screw.

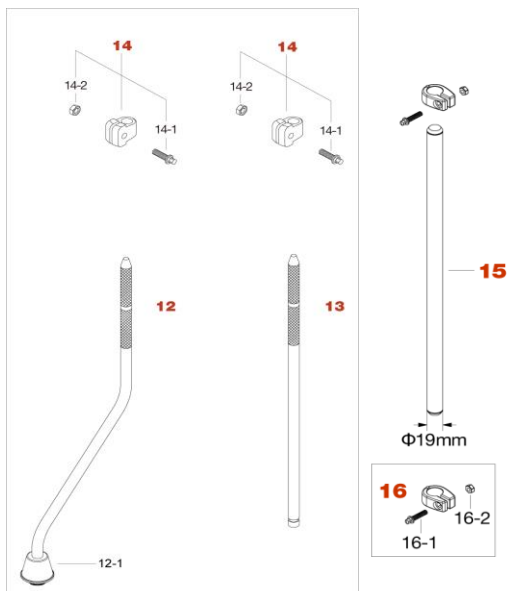
Cocktail-JAM & Cocktail-JAM Mini



Tom & Snare Mount Bracket		
No.	Model No.	Description
7	MTB25E	Bracket for Tom & Snare Drum w/screw
7-1	MTB25E-1	Casting only
7-2	EB820WN8W	Eye bolt M8x20mm, washer & wing nut M8 assembly
7-21	WN8P	Wing nut M8 (2pcs/set)
7-22	EBA820	Eye bolt M8x20mm
7-3	MS412B20P	Mounting screw M4x12mm (20pcs/set)
8	MTB20-6	Metal Back Plate for bracket
Bass Drum Spur & Rod Bracket		
No.	Model No.	Description
9	MTB25	Bracket for Bass Drum w/screw
9-1	MTB25-1	Casting only
9-2	TS816P	T-bolt M8x16mm (2pcs/set)
9-3	MS412B20P	Mounting screw M4x12mm (20pcs/set)

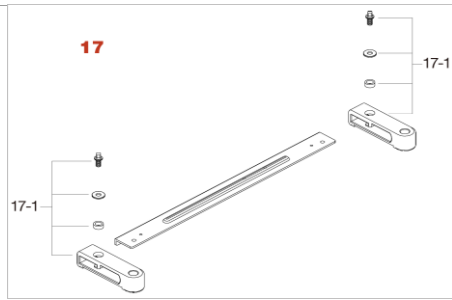


Connecting Pipe Bracket		
No.	Model No.	Description
10	MTBCJH	Connecting Pipe Bracket of Floor Tom
10-1	WN8SPW	Wing nut M8 w/ spring & washers assembly
10-11	WN8P	Wing nut M8 (2pcs/set)
10-2	RN8SPW	Round nut M8, w/ spring & washer assembly
10-21	RN8	Round nut M8
10-3	MS514B20P	Mounting screw M5x14mm (20pc/set)
11	MTBCJL	Connecting Pipe Bracket of Bass Drum



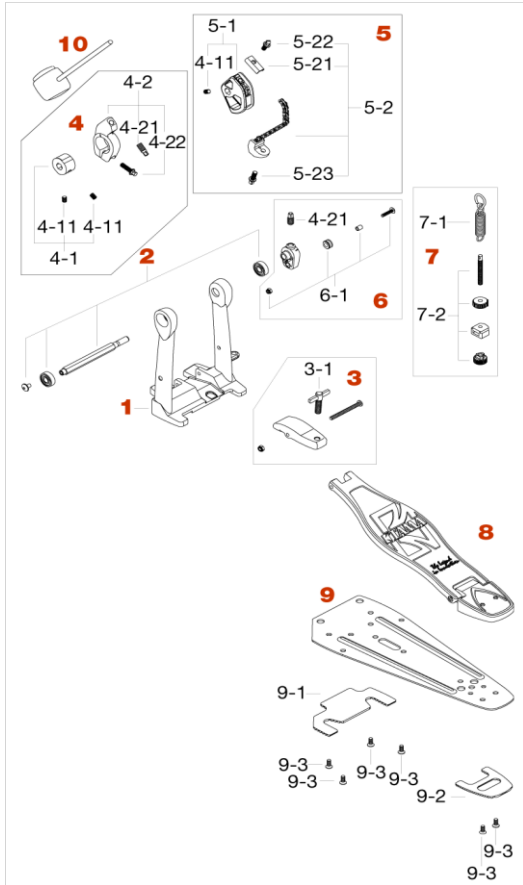
Bass Drum Spurs & Rod for Pedal Clamp		
No.	Model No.	Description
12	6573CJP	Bass Drum Spurs (2pcs/set)
12-1	6573RTC	Rubber Foot (1pc)
13	6573CJIP	Bass Drum Rod for Pedal Clamp (2pc/set)
14	ML105	Memory Lock for 10.5mm rod
14-1	MS620SH	Square head bolt M6x20mm
14-2	NT6	Nut M6
Connecting Pipes		
No.	Model No.	Description
15	CP16CJ	Connecting Pipe
16	ML191N	Memory Lock for 19.1mm pipe
16-1	MS620SH	Square head bolt M6x20mm
16-2	NT6	Nut M6

Cocktail-JAM & Cocktail-JAM Mini



Bass Drum Clamp Plate		
No.	Model No.	Description
For Cocktail-JAM		
17	BCP16CJ	Bass Drum Clamp Plate (Hole interval 318mm)
17-1	BCP16CJ2	Connecting Rubber Foot
For Cocktail-JAM Mini		
17	BCP14CJ	Bass Drum Clamp Plate (Hole interval 283mm)
17-1	BCP16CJ2	Connecting Rubber Foot

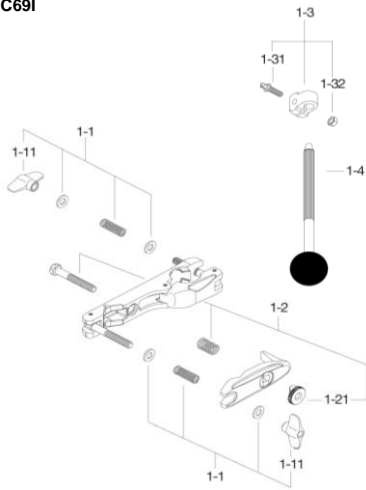
HP30CJ



Bass Drum Pedal HP30CJ		
No.	Model No.	Description
1	HP200P1	Frame only
2	HP302	Shaft Assembly
3	HP303	Hoop clamp assembly
3-1	WS826	T-bolt M8x26mm
4	HP914	Vari-Pitch beater holder complete
4-1	HP9-41	Vari-Pitch beater holder center casting w/screws
4-11	S68	Screw M6x8mm
4-2	HP9142	Vari-Pitch beater holder outer casting w/screws
4-21	S812SH	Square head bolt M8x12mm
4-22	L620C	Screw M6x20mm
5	HP305W	Sprocket & chain assembly
5-1	HP305W1	Sprocket only w/screw
4-11	S68	Screw M6x8mm
5-2	HP2-52	Chain assembly w/screw
5-21	HP2-521	Pressure plate
5-22	MS612SH	Screw M6x12mm
5-23	MS615SH	Screw M6x15mm
6	HP2-6	Rocker piece assembly
6-1	HP2-61	Plastic roller assembly
4-21	S812SH	Screw M8x12mm
7	HP2-7	Spring assembly
7-1	HP2-71	Spring & hook
7-2	HP2-72	Spring tight assembly
8	HP3071	Footboard assembly
9	HP3H9	Stabilizing plate complete
9-1	HP3H91	Rubber plate for HP300 & HP300TW
9-2	HP3H92	Rubber plate for HP300 & HP300TW
9-3	S512	Screw M5x12mm
10	DS30	Dual sided beater

Cocktail-JAM & Cocktail-JAM Mini

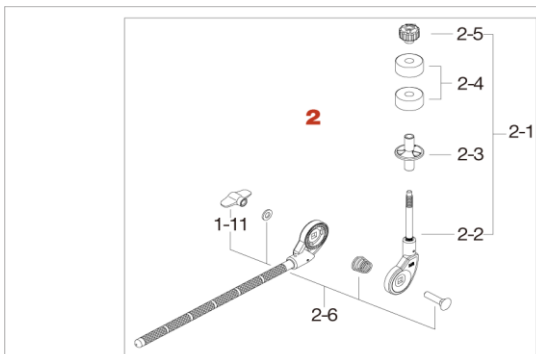
MC69I



Single Tom Adapter MC69I

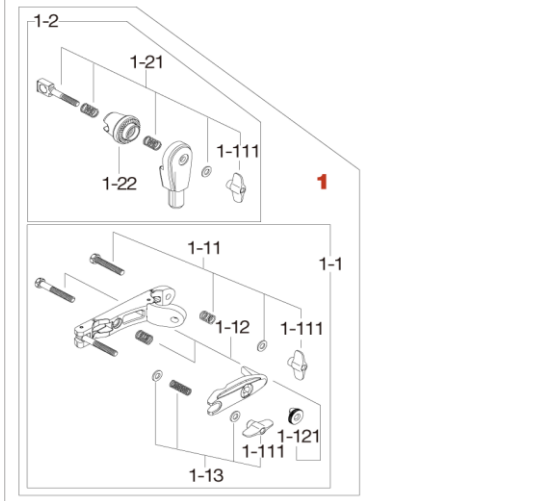
No.	Model No.	Description
1-1	WN8SPW	Wing nut M8 w/spring & washers set
1-11	WN8P	Wing nut M8 (2pcs/set)
1-2	HB855RN8T	Bolt w/nut & spring
1-21	RN8	Round nut M8
1-3	ML105	Key lock for 10.5mm rod
1-31	MS620SH	Square head bolt M6x20mm
1-32	NT6	Nut M6
1-4	IOB	I-Shaped Omni-Ball rod

MCA5366



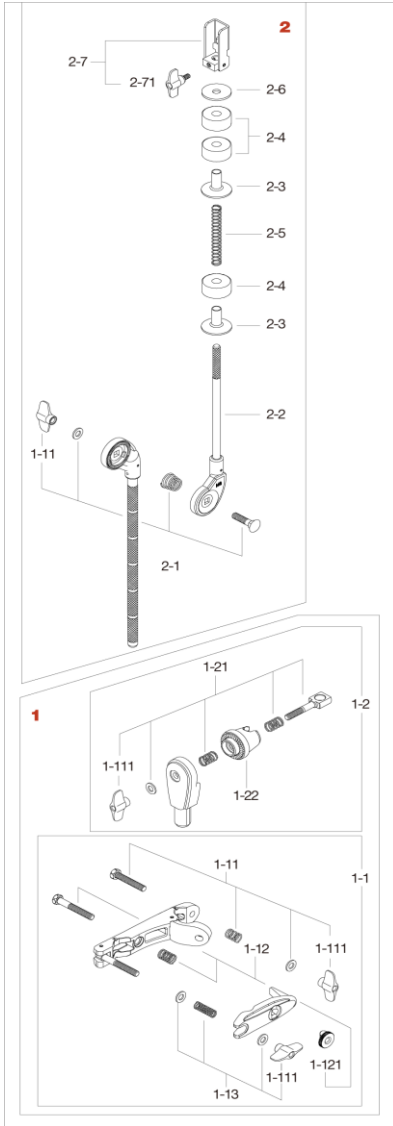
Cymbal Attachment MCA5366

No.	Model No.	Description
1	MC66	Universal clamp
1-1	MC61	Multi-clamp
1-11	HB845WN8T	Bolt w/wing nut & spring
1-111	WN8P	Wing nut M8 (2pcs/set)
1-12	HB855RN8T	Bolt w/nut & spring
1-121	RN8	Round nut M8
1-13	WN8SPW	Wing nut M8 w/spring & washers
1-2	MTA6	Boom tilter assembly
1-21	EBA8WN8T	Bolt, springs, washer & nut assembly
1-22	EHZ2	Boom tilter casting
2	MCB30EB	Boom Arm
2-1	CT44	Cymbal tilter assembly
2-2	CT44-11	Cymbal tilter only
2-3	RB8P	Cymbal bottom M8 (2pcs/set)
2-4	7081P	Felt washer (2pcs/set)
2-5	CM8P	Cymbal mate (2pcs/set)
2-6	B835WN8T	Bolt, spring, washer & nut assembly



Cocktail-JAM & Cocktail-JAM Mini

MXA5366



Hi-Hat Cymbal Attachment MXA5366		
No.	Model No.	Description
1	MC66	Universal clamp
1-1	MC61	Multi-clamp
1-11	HB845WN8T	Bolt w/wing nut & Spring
1-111	WN8P	Wing nut M8 (2pcs/set)
1-12	HB855RN8T	Bolt w/nut & spring
1-121	RN8	Round nut M8
1-13	WN8SPW	Wing nut M8 w/spring & washers
1-2	MTA6	Boom tilter assembly
1-21	EBA8WN8T	Bolt, springs, washer & nut assembly
1-22	EHZN2	Boom tilter casting
2	MXA532	Upper rod complete M8
2-1	B835WN8T	Bolt, spring, washer & nut assembly
2-2	CSA30E-11	Tilter only
2-3	CSA3013N	Cymbal bottom seat
2-4	7081P	Felt washer (2pcs/set)
2-5	MXA5325	Spring
2-6	MXA5326	Metal washer
2-7	MXA5327	Tension lever assembly
2-71	TS610	T-bolt M6x10mm