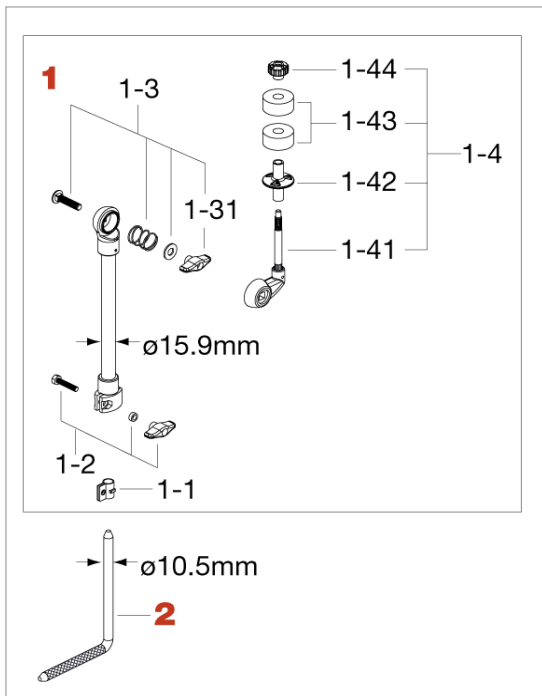
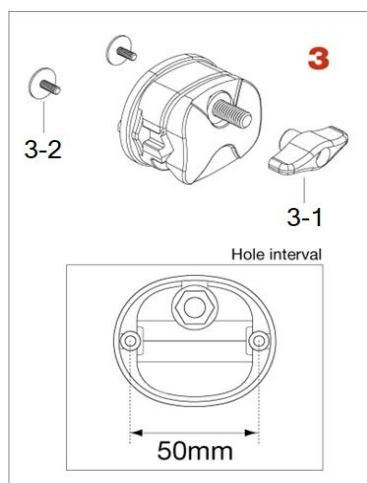


## Club-JAM Bass Drum Mounted Cymbal Holder Parts



Cymbal Holder		
No.	Model No.	Description
<b>1</b>	CACLJ1	Cymbal holder
1-1	NB1510H	Nylon Bushing ( $\phi 15.9\text{mm} - \phi 10.5\text{mm}$ )
1-2	HB630WN6R	Bolt M6x30, wing nut & Spacer assembly
1-3	B835WN8R	Bolt M8x35mm, spring, washer & wing nut assembly
1-31	WN8RM	Wing nut M8
1-4	CT03	Cymbal tilter assembly
1-41	CT031	Tilter only
1-42	RB8P	Cymbal bottom (2pcs/set)
1-43	7081P	Felt washer (2pcs/set)
1-44	CM8P	Cymbal mate M8 (2pcs/set)
<b>2</b>	CACLJ2	L-rod for cymbal holder



Cymbal Holder Bracket		
No.	Model No.	Description
<b>3</b>	MSBRM	Cymbal holder bracket w/ mounting screw
3-1	WN8RM	Wing nut M8
3-2	HS514B20P	Mounting screw M5x14mm (20pcs/set)