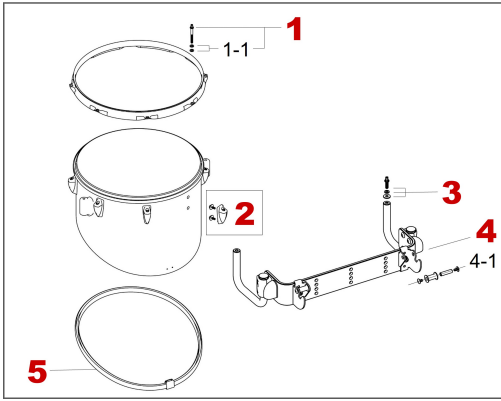


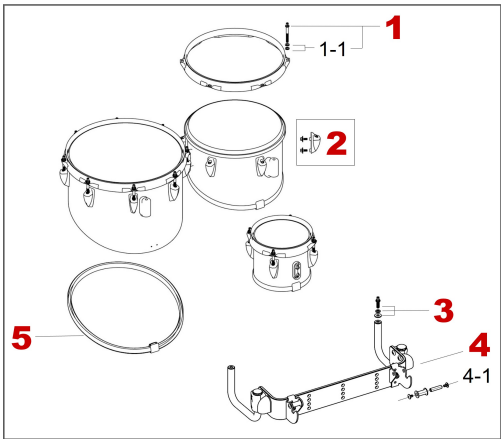
Marching Tenor Drum

Fieldstar Marching Tenor Drum Solo - 14 (Nov.2016-)



No.	Model No.	Description
1	SHB654P	Tension bolt M6x54mm w/ 2pcs of washers (2pcs/set)
1-1	MW620	Metal washer (20pcs/set)
2	TNLUG	Lug for tenor w/mounting screws
3	SHB620WSP	Square head bolt M6x20mm w/washer & spring washer (2pcs/set)
4	TNFS	Tenor frame for small tenor w/o leg
4-1	MH58	Marching Hinge Axis M5x8mm
5	TNSPC14	Shell protect cover for 14" solo tenor
6	MFM14-8	2.3mm Steel mighty hoop 14" 8 hole

Fieldstar Marching Tenor Drum Trio - 6, 10, 12 (May.2021-)



No.	Model No.	Description
1	SHB654P	Tension bolt M6x54mm w/ 2pcs of washers (2pcs/set)
1-1	MW620	Metal washer (20pcs/set)
2	TNLUG	Lug for tenor w/mounting screws
3	SHB620WSP	Square head bolt M6x20mm w/washer & spring washer (2pcs/set)
4	TNFS	Tenor frame for small tenor w/o leg
4-1	MH58	Marching Hinge Axis M5x8mm
5	TNSPCT	Shell protect cover set for trio tenor
6	MFM6-4	2.3mm Steel mighty hoop 6" 4 hole
	MFM10-6	2.3mm Steel mighty hoop 10" 6 hole
	MFM12-8	2.3mm Steel mighty hoop 12" 8 hole