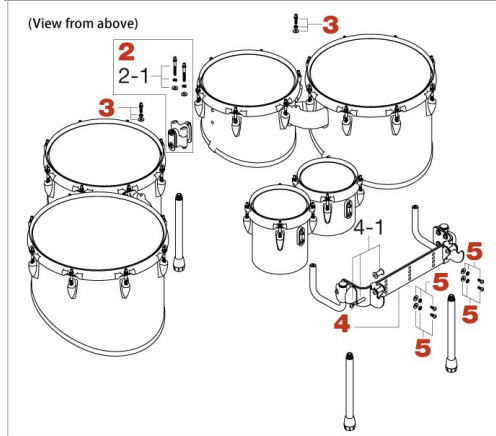
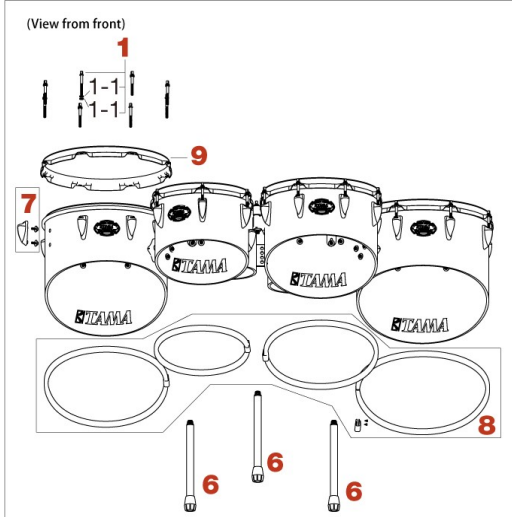


Marching Tenor Drum

Premium Marching Tenor Drum (Nov.2011-)



No.	Model No.	Description
1	SHB654P	Tension bolt M6x54mm w/ 2pcs of washers (2pcs/set)
1-1	MW620	Metal washer (20pcs/set)
2	TNATM	Adjustable tom attachment w/ mounting screw
2-1	SHB648WSP	Square head bolt M6x48mm w/washer & spring washer (2pcs/set)
3	SHB620WSP	Square head bolt M6x20mm, w/washer & spring washer (2pcs/set)
4	TNFL	Tenor frame for large tenor w/o leg
	TNFS	Tenor frame for small tenor w/o leg
4-1	MH58	Marching Hinge Axis M5x8mm
5	B614WSP	Bolt M6x14mm, washer & spring washer (2pcs/set) except for 6" spock tom on 6"+8" large tenor
	B650WSP	Bolt M6x50mm, washer & spring washer (2pcs/set) for 6" spock tom on 6"+8" large tenor
6	TNLEG	Leg assembly (1pc)
7	TNLUG	Lug for tenor w/mounting screws
8	TNSPCL	Shell protect cover set for large tenor
	TNSPCS	Shell protect cover set for small tenor
9	MFM6-4	2.3mm Steel mighty hoop 6" 4 hole
	MFM8-5	2.3mm Steel mighty hoop 8" 5 hole
	MFM10-6	2.3mm Steel mighty hoop 10" 6 hole
	MFM12-8	2.3mm Steel mighty hoop 12" 8 hole
	MFM13-8	2.3mm Steel mighty hoop 13" 8 hole