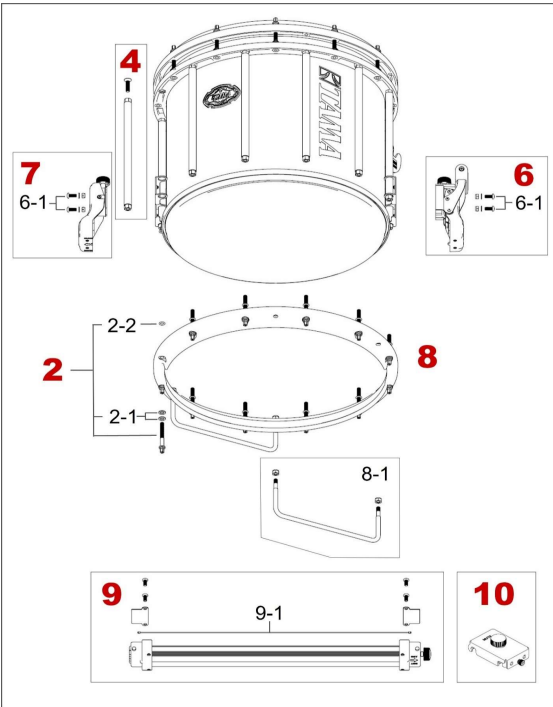
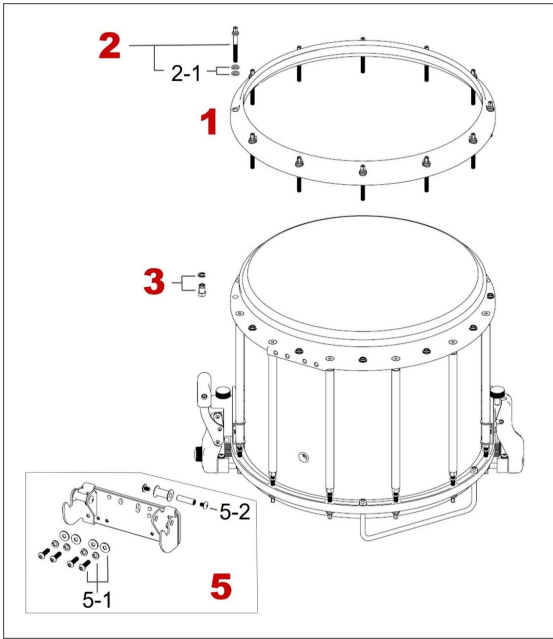


Marching Snare Drum



Fieldstar Marching Snare Drum (2021-)

No.	Model No.	Description
1	DH1412	14" 12 hole hoop for batter side
2	SHB648P	Tension bolt M6x48mm w/washer & O-ring (2pcs/set)
2-1	MW620	Metal washer (20pcs/set)
2-2	ORNG12	Rubber O-ring (12pcs/set) Only for bottom side bolt
3	TNCP	Tension nut w/ Ring (2pcs/set)
4	TP12N	Tension pipe for 12" depth
	TP09N	Tension pipe for 9" depth
5	SDHLDN	Holder for stand & carrier w/mounting screws
5-1	B620WS	Bolt M6x20mm, washer & spring washer assembly
5-2	MH58	Marching Hinge Axis M5x8mm
6	SDSTN	Strainer for 12" depth w/mounting screws
6-1	B512SW	Mounting screw for Strainer
7	SDBTN	Snare butt
6-1	B512SW	Mounting screw for Strainer
8	DH14S12N	14" 12 hole hoop w/ legs for snare side
8-1	SDLEGN	Leg w/2pcs nuts
9	MGF14BR	Detachable Gut Frame
9-1	GT11BR	Guts only (11pcs/set)
10	MSMT	Buzz Killer Mutes
Sticker for 12" depth	TLS80WH	White TAMA logo sticker
	TLS80BK	Black TAMA logo sticker
Sticker for 9" depth	TLS70WH	White TAMA logo sticker
	TLS70BK	Black TAMA logo sticker