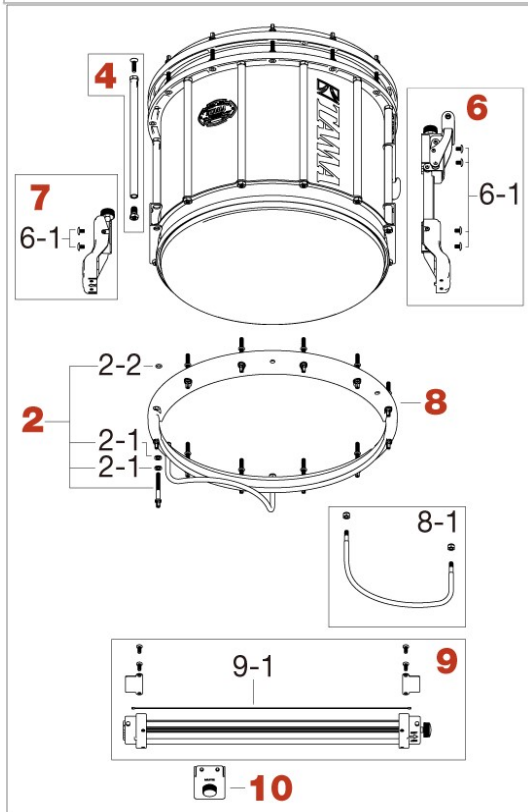
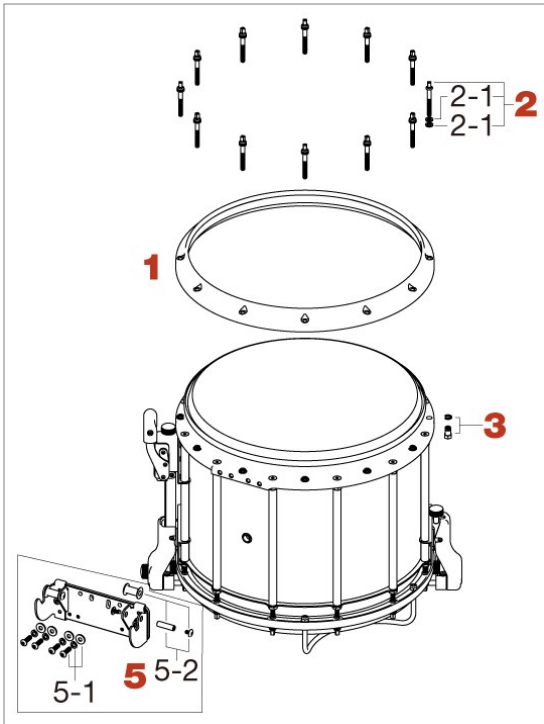


Marching Snare Drum

Premium Marching Snare Drum (-2020)



No.	Model No.	Description
1	DH1412	14" 12 hole hoop for batter side
2	SHB648P	Tension bolt M6x48mm w/washer & O-ring (2pcs/set)
2-1	MW620	Metal washer (20pcs/set)
2-2	ORNG12	Rubber O-ring (12pcs/set) Only for bottom side bolt
3	TNOP	Tension nut w/ Ring (2pcs/set)
4	TP12	Tension pipe for 12" depth
	TP09	Tension pipe for 9" depth
5	SDHLDN	Holder for stand & carrier w/mounting screws
5-1	B620WS	Bolt M6x20mm, washer & spring washer assembly
5-2	MH58	Marching Hinge Axis M5x8mm
6	SDST12	Strainer for 12" depth w/mounting screws
	SDST09	Strainer for 9" depth w/mounting screws
6-1	MS58HSP4	Screw M5x8mm (4pcs/set)
7	SDBT	Snare butt
8	DH14S12	14" 12 hole hoop w/ legs for snare side
8-1	SDLEGN	Leg w/2pcs nuts
9	MGF14N	Detachable Gut Frame
9-1	GT11	Guts only (11pcs/set)
10	MSMT	Buzz Killer Mutes
Sticker for 12" depth	TLS80WH	White TAMA logo sticker
	TLS80BK	Black TAMA logo sticker
Sticker for 9" depth	TLS70WH	White TAMA logo sticker
	TLS70BK	Black TAMA logo sticker