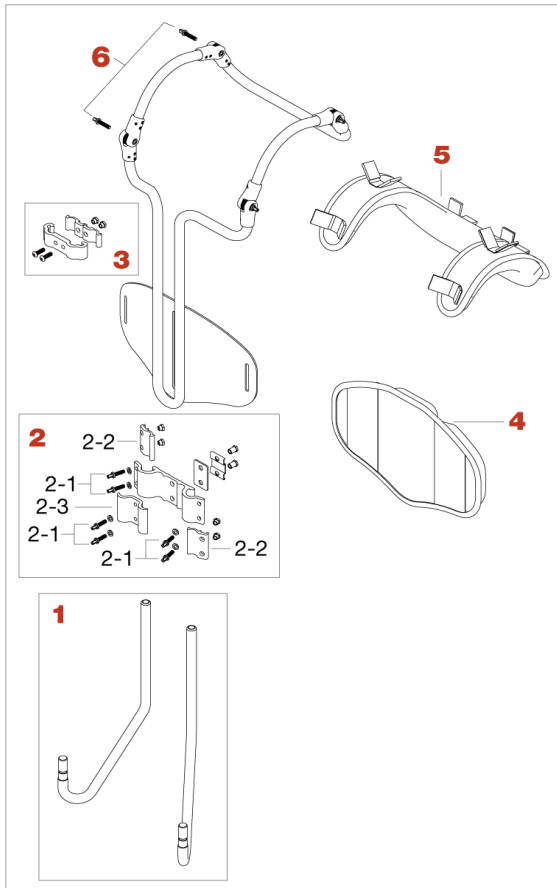


## Marching Tenor Drum Carrier CFSTNM



No.	Model No.	Description
1	CFSTNJB	Tenor carrier J-bar (pair of R&L)
2	CFSRHA	Rod holder assembly
2-1	SHB620MP	Square head bolt (M6x20mm, 2pcs/set)
2-2	CFSRHO	Outer plate for Rod holder
2-3	CFSRHC	Center plate for Rod holder
3	CFSCSA	Chest support assembly
4	CBP	Belly pad
5	CFSSP	Shoulder pad
6	SHB625P	Square head bolt (M6x25mm, 2pcs/set)