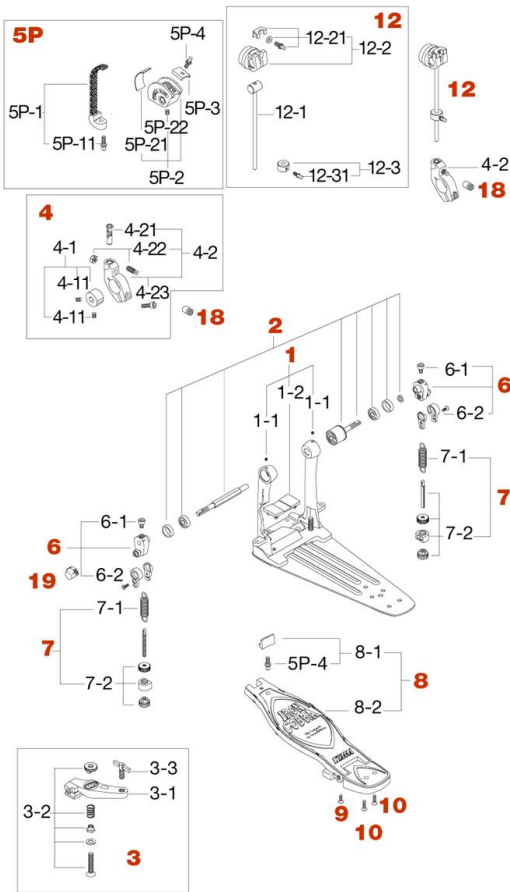


**HP900PTWL Iron Cobra Twin Pedal : Power Glide (Lefty Model)**  
 <Discontinued>

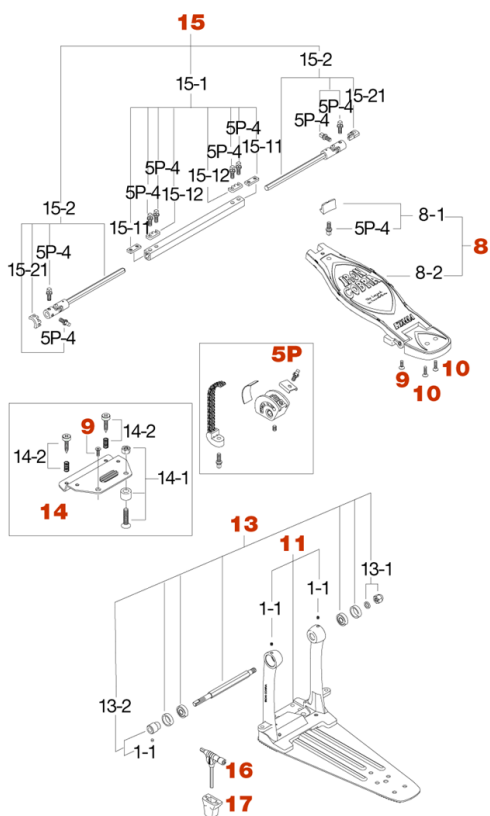
Production from Feb. 2004 to Dec. 2006



No.	Model No.	Substitutable Model No.	Description	
1	HP9-1N (Discontinued)	HP90F (Frame)  (Needs to replace below parts together) HP92N (Shaft assembly) HP99N (Stabilizing plate)	Frame & Stabilizing plate	
	1-1	S45		Screw (M4x5mm)
	1-2	HP9-12		Rubber plate
	2	HP9W2 (Discontinued)		N/A
3	HP9-3 (Discontinued)	HP9N3	Para clamp II pro assembly	
3-1	HP9-31 (Discontinued)	HP9N31	Para clamp II pro	
3-2	HP9-32		Bolt (M8x47mm), spring, washer, spacer & nut assembly	
3-3	WS820 (Discontinued)	WS826	T-bolt (M8x26mm)	
4	HP9-4 (Discontinued)	HP914	Vari-Pitch beater holder complete	
4-1	HP9-41		Vari-Pitch beater holder center casting w/screws	
4-11	S68		Screw (M6x8mm)	
4-2	HP9-42 (Discontinued)	HP9142	Vari-Pitch beater holder outer casting w/screws	
4-21	NBB		Nylon bush	
4-22	S816SHN (Discontinued)	N/A	Square head bolt (M8x16mm) w/nut	
4-23	L620		Screw (M6x20mm)	
5P	HP9-5P (Discontinued)	HP95PN	Power Glide sprocket (for HP900P) & chain assembly	
5P-1	HP9-53		Chain assembly w/screw	
5P-11	MS615SH		Square head bolt (M6x15mm)	
5P-2	HP9-51P (Discontinued)	HP95PN1	Sprocket only w/screw	
5P-21	FP-C		Felt pad for chain pedal	
5P-22	S68		Screw (M6x8mm)	
5P-3	HP9-54		Pressure plate	
5P-4	MS612SH		Square head bolt (M6x12mm)	
6	HP9-6N (Discontinued)	HP9S	Speedo-Ring w/ Quick Hook	
6-1	L610 (Discontinued)	L612C	Screw (M6x12mm)	
6-2	HP9-71		Quick Hook only	
7	HP9-7N		Spring assembly w/o Quick Hook	
7-1	HP900-7R		Spring only	
7-2	HP900-77		Spring Tight assembly	
8	HP9-8 (Discontinued)	N/A	Footboard assembly	
8-1	HP900-81		Toe stopper w/screw	
8-2	HP9-82 (Discontinued)	HP908	Footboard only	
9	S512		Screw (M5x12mm)	
10	S516		Screw (M5x16mm)	

**HP900PTWL Iron Cobra Twin Pedal : Power Glide (Lefty Model)**  
 <Discontinued>

Production from Feb.2004 to Dec. 2006



No.	Model No.	Substitutable Model No.	Description
11	HP9-11R (Discontinued)	HP90FR (Frame)  (Needs to replace below parts together) HP9W2L (Shaft assembly) HP99L (Stabilizing plate)	Frame & Stabilizing plate (for right foot)
12	CB90F		Iron Cobra beater (felt)
12-1	CB90-1		Shaft only
12-2	CB90FH		Beater head (felt)
12-21	CB90-2		Bolt (M6x12mm), washer & metal hook assembly
12-3	BC7		Beater balance adjuster
12-31	S58		Screw (M5x8mm)
13	HP9W12 (Discontinued)	N/A	Shaft assembly (for right foot)
13-1	HP9-21		Acorn hex nut & washer
13-2	HP9W22		Spacer
14	ACP90		Anchor plate assembly
14-1	ACP90-1		Bolt (M8x45mm), spacer & nut assembly
14-2	7114SP		Screw anchor w/spring
15	CNR90 (Discontinued)	CNR900	Connecting rod complete
15-1	CNR90-1 (Discontinued)	N/A	Connecting tubing assembly
15-11	CNR90-5		Square nut
15-12	CNR90-3		Bolt stopper
15-2	CNR90-2		Inner rod assembly w/screws
15-21	CNR90-4		Bolt stopper
16	DH7		Drum Hammer
17	HH5		Hammer Holder
18	TLK5		Tight Lock
19	AMC2		Angle memory cap