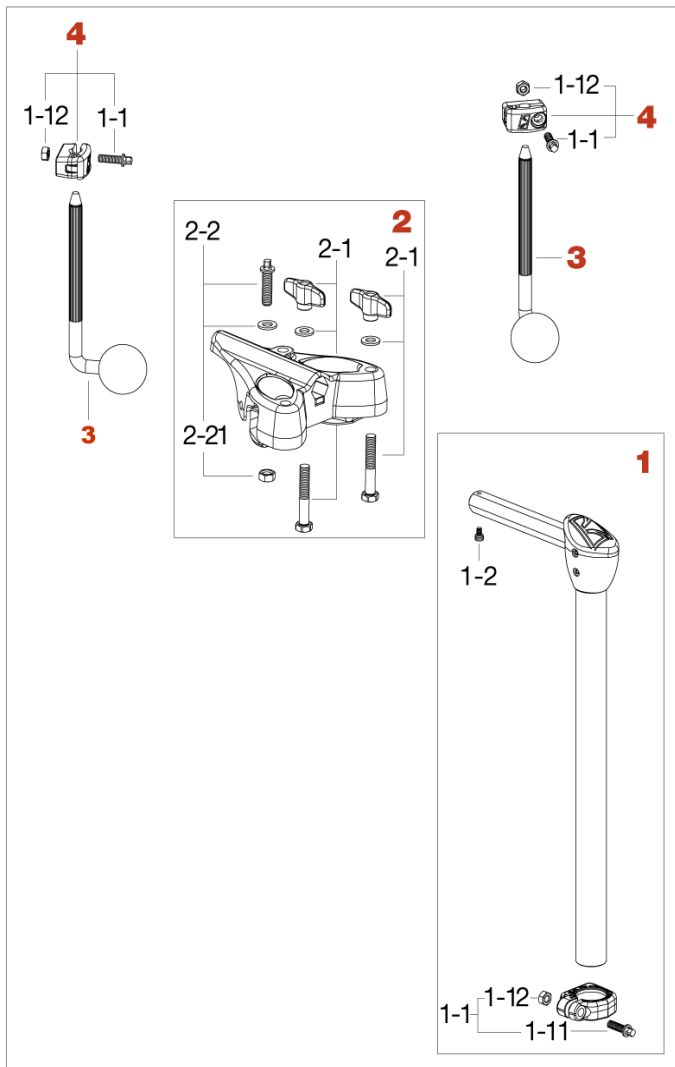


MTH905N Double Tom Holder

Production from Dec. 2010



No.	Model No.	Description
1	MTH905N1	L-Shape base pipe (350mm)
1-1	ML254TC	Memory lock
1-11	MS620SH	Square head bolt (M6x20mm)
1-12	NT6	Nut (M6)
1-2	L46	Screw (M4x6mm)
2	MTH9052	L-Shape upper section
2-1	HB850WN8W	Bolt (M8x50mm), T-nut & washer assembly
2-2	MSS830W	Square head bolt, nut & washer assembly
2-21	NT8	Nut (M8)
3	LOB	Omni-ball rod only
4	ML11	Memory lock (Hinge Type, for MTB25)